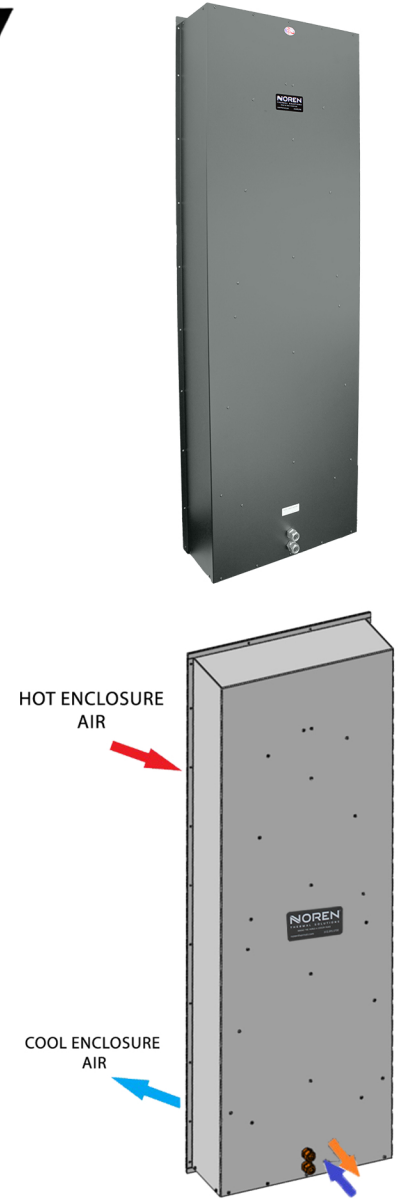
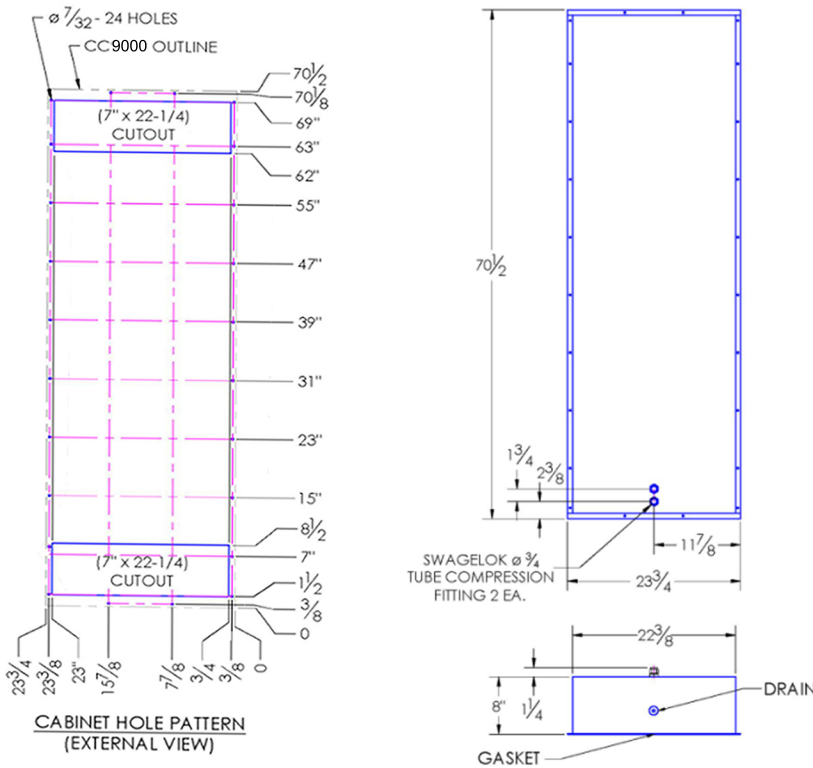


HEAT EXCHANGER CC9000 TYPE 4X AIR TO WATER FLUSH MOUNT MODEL

Model	Weight (Lbs)	Rating @ 40°C ΔT (BTU/hr)	Amps Current Draw at 115 volts AC	Fan Size	Dimensions- Inches (HxWxD)
CC9000 TYPE 4X	79 lbs	57,000	2.4	8x6"	70.5 x 23.75 x 8
Efficiency: 417.0 Watts / °C ΔT based on average internal cabinet temperature					



PRODUCT SPECIFICATIONS

1. UL listed for TYPE 4 or 4X environments
2. CC9000 Type 4X Rated cooling: 16,680 Watts mounted on an uninsulated 72" x 36" x 24". Cabinet with 2 GPM of water at 20°C, 40°C ambient air and 60°C cabinet air temperature
3. Designed for surface mounting on the outside of cabinet
4. Housing is Type 304 Stainless Steel (316 SS or powder coated Aluminum optional)
5. External water inlet and outlet connections
6. Equipped with mounting gasket to maintain the TYPE 4X integrity of your cabinet
7. Available with AC (115 & 230V)
8. Vertical mounting only (as shown)
9. Coolant water pressure: Pressure tested to 100 psi. Safe Working pressure is 60 psi
10. Recommended coolant flow rate (gallons per minute): 2 GPM
11. For design, quote, and sizing assistance: Call (512)595-5700

*Subject to change without notice



CC9000 TYPE 4X
Air to Water Flush Mount Model

NOREN™ THERMAL SOLUTIONS
205 s. Edmond Street
Taylor, TX 76574
(512) 595-5700
www.norenthermal.com

**CC9000 FLUSH MOUNT
TYPE 4X**

CCS-PBD-7.2.2-883322-D