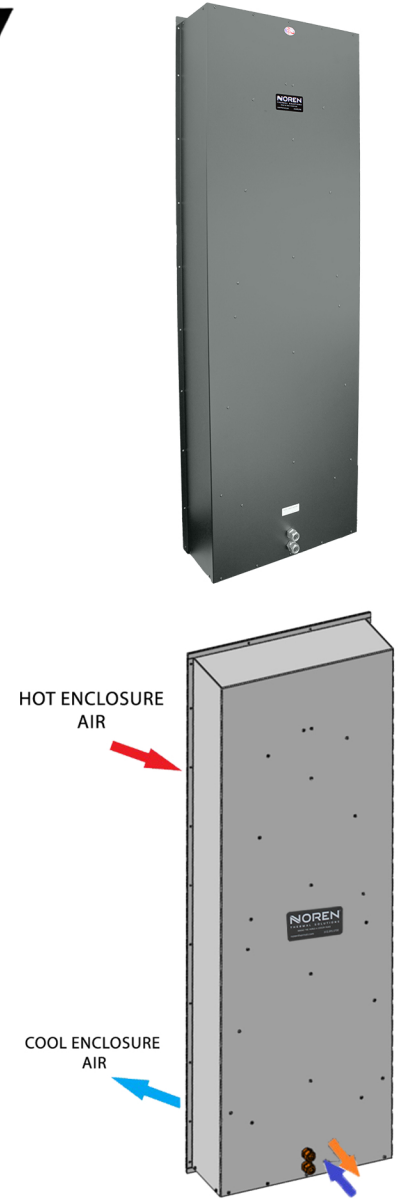
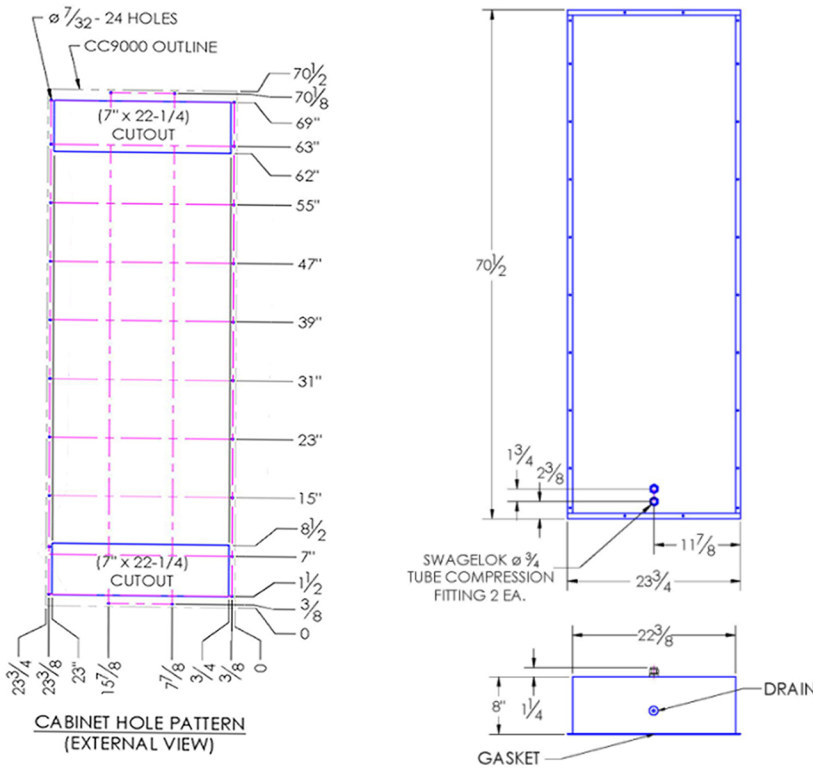


HEAT EXCHANGER CC9000 TYPE 4 AIR TO WATER FLUSH MOUNT MODEL

Model	Weight (lbs)	Rating @ 40°C ΔT (BTU/hr)	Amps Current Draw at 115 volts AC	Fan size	Dimensions-Inches (HxWxD)
CC9000	79	57,000	2.4	8x6"	70.5 x 23.75 x 8

Efficiency: 417.0 Watts / °C ΔT based on average internal cabinet temperature



PRODUCT SPECIFICATIONS

1. UL listed for TYPE 4 environments
2. CC9000 Rated cooling: 16,680 Watts mounted on an uninsulated 72" x 36" x 24". Cabinet with 2 GPM of water at 20°C, 40°C ambient air and 60°C cabinet air temperature
3. Designed for surface mounting on the outside of cabinet
4. Housing is aluminum (Standard color) or stainless steel
5. External water inlet and outlet connections
6. Equipped with mounting gasket to maintain airtight seal
7. Available with AC (115 & 230V) and DC (12, 24, & 48V) fans
8. Vertical mounting only (as shown)
9. Coolant water pressure: Pressure tested to 100 psi. Safe Working pressure is 60 psi
10. Recommended coolant flow rate (gallons per minute): 2 GPM
11. For design, quote, and sizing assistance: Call (512)595-5700

*Subject to change without notice



UL File #SA9567

CC9000 TYPE 4
Air to Water Flush Mount Model

NOREN™ 205 s. Edmond Street
Taylor, TX 76574
(512) 595-5700
www.norenthermal.com

**CC9000 FLUSH MOUNT
TYPE 4**

CCS-PBD-7.2.2-883322-D