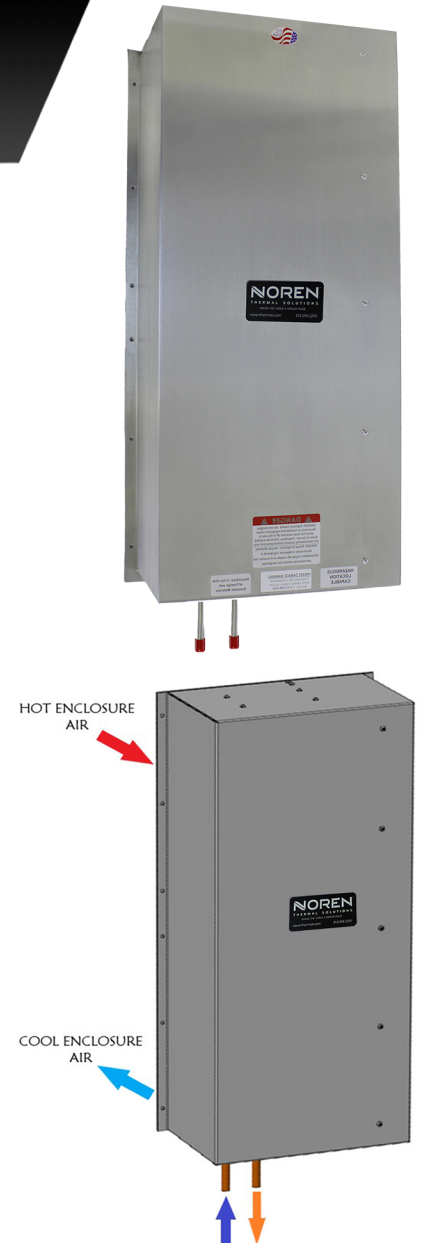
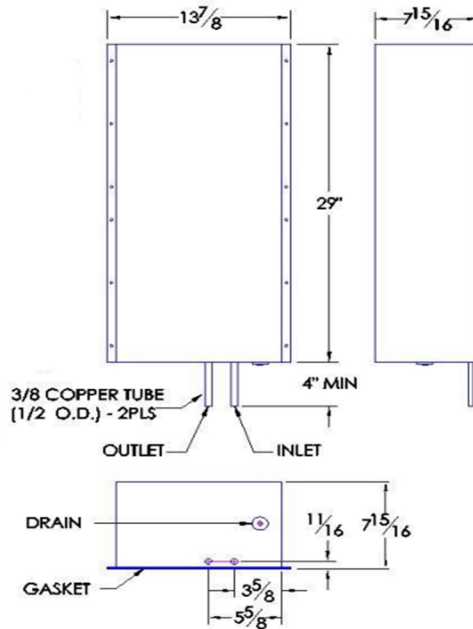
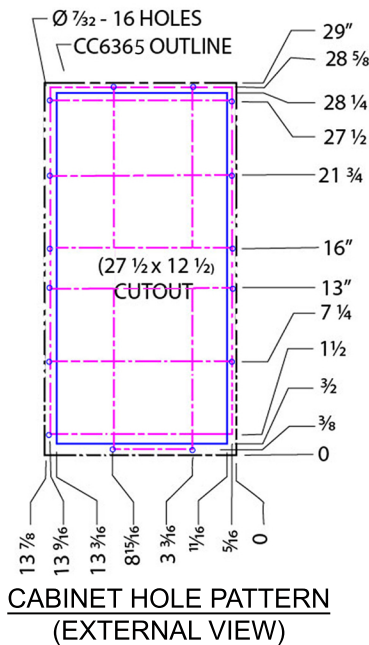


## HEAT EXCHANGER CC6365PHL TYPE 4X, XXX CLASS 1 / DIV 2 HAZARDOUS LOCATION AIR TO WATER FLUSH MOUNT MODEL

Model	Weight (lbs)	Rating @ 40°C ΔT (BTU/hr)	Amps Current Draw at 115 volts AC	Fan size	Dimensions-Inches (HxWxD)
CC6365PHL	32 lbs	21,800	0.9	3x6"	29 x 13.8 x 7.94

Efficiency: 159.7 Watts / °C ΔT based on average internal cabinet temperature



### PRODUCT SPECIFICATIONS

1. UL Listed for TYPE 4X environments, Hazard Location Class 1 / Div 2
2. CC6365PHL Rated cooling: 6,389 Watts mounted to an uninsulated 72" x 36" x 24" Cabinet with 1GPM of water at 20°C, 40°C ambient air and 60°C cabinet air temperature (Temp Code T4)
3. Designed for surface mounting on the outside of cabinet
4. Housing is Stainless Steel (TYPE 316)
5. External water inlet and outlet connections
6. Equipped with mounting gasket to maintain the TYPE 4X integrity of your cabinet.
7. Pressure tested to insure liquid tight seal
8. Internal 6-ft power cord
9. Available with DC and AC (12VDC, 24VDC, 48VDC, 115VAC & 230VAC). Designation xxx indicates voltage
10. Vertical mounting (as shown) only
11. Coolant water pressure: Pressure tested to 100 psi. Safe working pressure is 60 psi
12. Recommended coolant water flow rate (gallons per minute): 1GPM
13. For design, quote, and sizing assistance: call (512) 595-5700

\*Subject to change without notice



Hazardous Location, Class 1, Division 2,  
Group A, B, C and D  
Air to Water Flush Mount Model

**NOREN™** 205 s. Edmond Street  
THERMAL SOLUTIONS Taylor, TX 76574  
(512) 595-5700  
[www.norenthermal.com](http://www.norenthermal.com)

**CC6365PHL-TYPE 4X, xxx  
Class 1/Div 2 (Cooper Core)**

CCS-PBD-8.2.1-883622-F