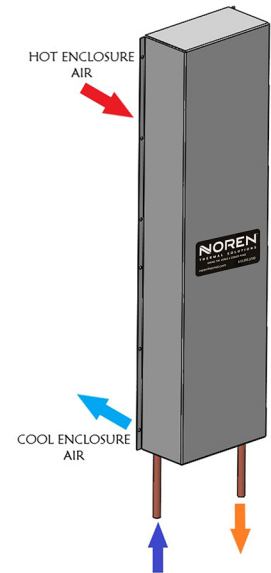
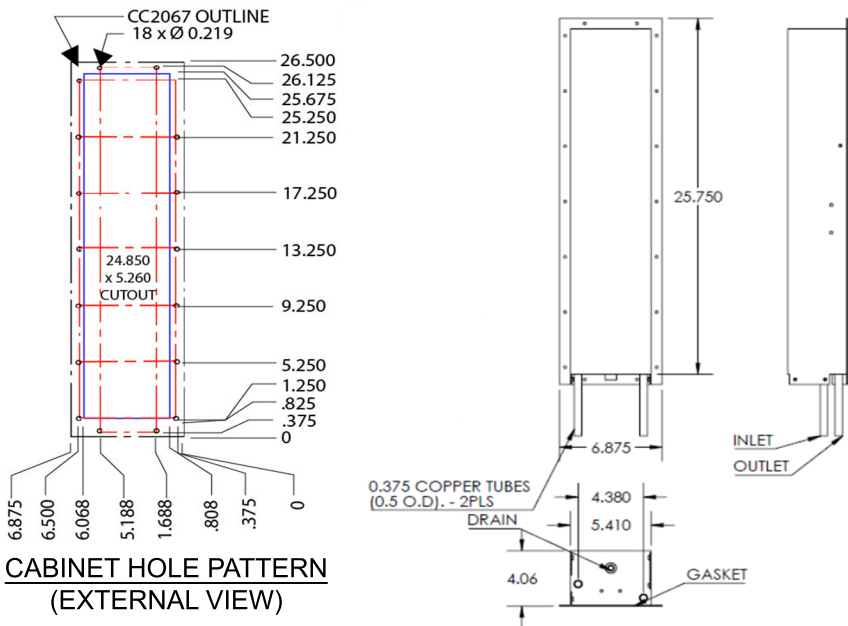


## HEAT EXCHANGER CC2067PHL WL IP66, XXX CLASS 1 / ZONE 2 (ATEX/IECEX) HAZARDOUS LOCATION AIR TO WATER FLUSH MOUNT MODEL

Model	Weight (lbs)	Rating @ 40°C ΔT (BTU/hr)	Amps Current Draw at 115 volts AC	Fan size	Dimensions-Inches (HxWxD)
CC2067PHL	12 lbs	3,350	0.2	1x4"	26.5 x 6.8 x 4
Efficiency: 24.5 Watts / °C ΔT based on average internal cabinet temperature					
ATEX/IECEX Certificate Reference: <b>DEMKO 15 ATEX 1403. IECEX UL 15.0081 X</b>					



### PRODUCT SPECIFICATIONS

- ATEX/IECEX certified for hazardous locations Class I, Zone 2 environments
- CC2067PHL Rated cooling: 982 Watts mounted to an uninsulated 72" x 36" x 24" Cabinet with 1 GMP of water at 20°C, 40°C ambient air and 60°C cabinet air temperature
- Designed for surface mounting on outside of cabinet.
- Housing is Stainless Steel (TYPE 316 14 GAUGE)
- External water inlet and outlet connections
- Equipped with mounting gasket to maintain airtight seal
- Pressure tested to assure watertight seal
- Available with AC (115 & 230V) and DC (12, 24 & 48V)
- Vertical mounting only
- Coolant water pressure: Pressure tested to 100psi. Safe working pressure is 60 psi
- Recommended coolant flow rate (gallons per minute): 1GPM
- Optional: inlet air-filter kit available upon request
- ATEX/IECEX Standards: 60079-0, 6th Ed. + Corr. 1:2012 + Corr. 2:2013, IEC 60079-15, 4th Ed., CENELEC EN 60079-0:2012 + A11:2013 and CENELEC EN 60079-15:2010
- For design, quote, and sizing assistance: call (512) 595-5700

\*Subject to change without notice



Hazardous Location, Class 1, Zone 2  
(ATEX/IECEX)  
Air to Water Flush Mount Model

205 s. Edmond Street  
Taylor, TX 78574  
(512) 595-5700  
[www.norenthermal.com](http://www.norenthermal.com)

**CC2067PHL-WL-IP66, xxx**

UL-PBD-7.2.2-200006-D