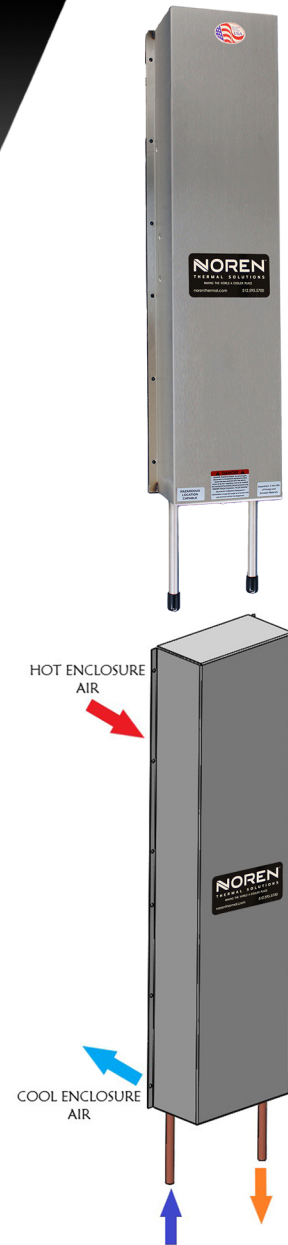
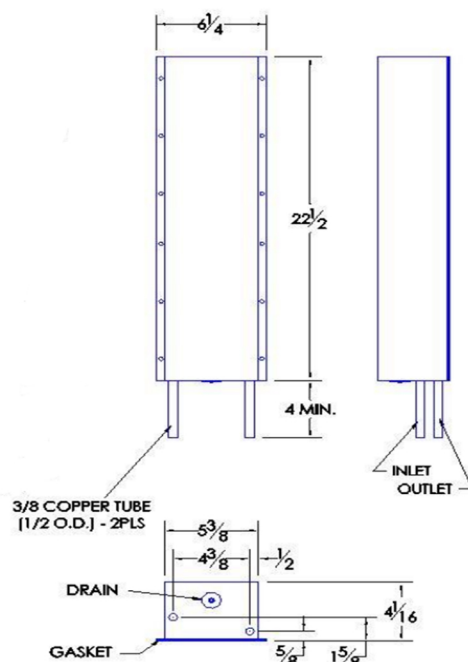
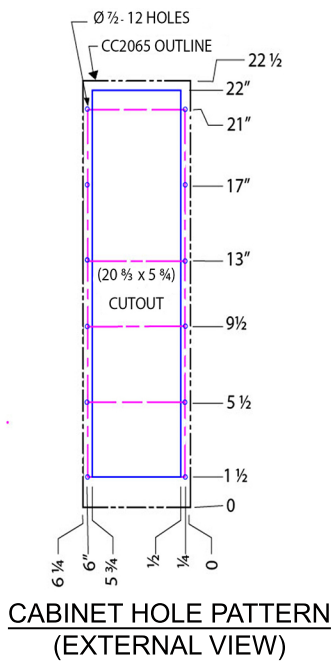


HEAT EXCHANGER CC2065PHL TYPE 4X, XXX CLASS 1 / DIV 2 HAZARDOUS LOCATION FLUSH MOUNT MODEL AIR TO WATER

Model	Weight (lbs)	Rating @ 40°C ΔT (BTU/hr)	Amps Current Draw at 115 volts AC	Fan size	Dimensions-Inches (HxWxD)
CC2065PHL	9 lbs	3,350	0.25	1x4"	22-1/2 x 6-1/4 x 4-1/16

Efficiency: 24.5 Watts / °C ΔT based on average internal cabinet temperature



PRODUCT SPECIFICATIONS

1. UL Listed for TYPE 4X environments, Hazard Location Class 1 / Div 2
2. CC2065PHL Rated cooling: 982 Watts mounted to an uninsulated 24" x 24" x 16" Cabinet with 1GPM of water at 20°C, 40°C ambient air and 60°C cabinet air temperature (Temp Code T4)
3. Designed for surface mounting on the outside of cabinet
4. Housing is Stainless Steel (TYPE 316)
5. Equipped with mounting gasket to maintain the TYPE 4X integrity of your cabinet
6. Pressure tested to insure liquid tight seal
7. Internal 6-ft power cord
8. Available with DC and AC (12VDC, 24VDC, 48VDC, 115VAC & 230VAC).
9. Designation xxx indicates voltage
10. Vertical mounting (as shown) only
11. Coolant water pressure: Pressure tested to 100 psi. Safe working pressure is 60 psi
12. Recommended water flow rate (gallons per minute): 1GPM
13. For design, quote, and sizing assistance: call (512) 595-5700

*Subject to change without notice

Noren Thermal Solutions - 205 South Edmond Street, Taylor, TX 76574
Ph (512) 595-5700 www.norenthermal.com



Hazardous Location, Class 1, Division 2,
Group A, B, C and D
Air to Water Flush Mount Model

NOREN THERMAL SOLUTIONS
205 s. Edmond Street
Taylor, TX 76574
(512) 595-5700
www.norenthermal.com

**CC2065PHL-TYPE 4X, xxx,
Class 1/Div 2 (Copper Core)**

CCS-PBD-8.2.1-883620-F