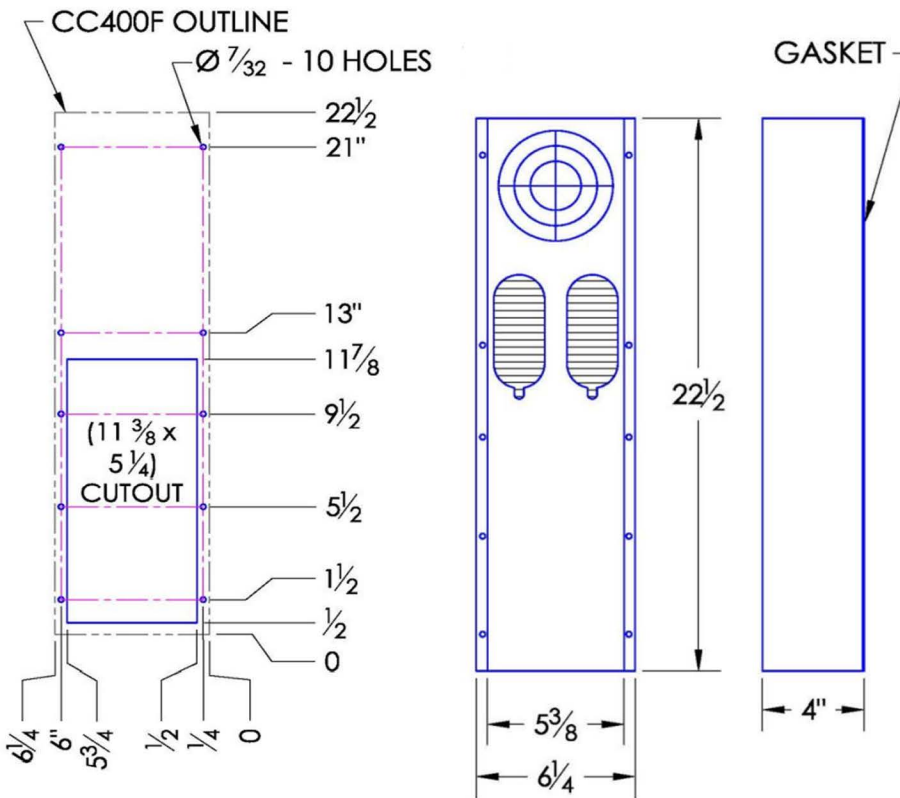


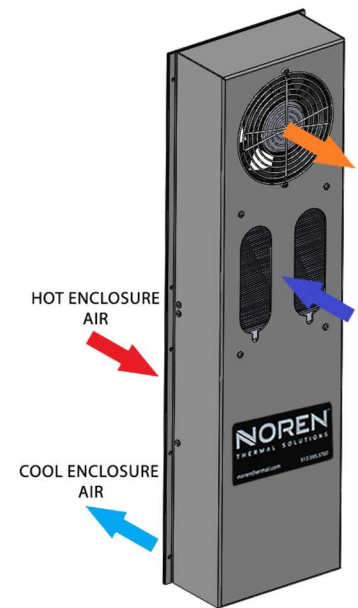
## HEAT EXCHANGER CC400F TYPE 12 AIR TO AIR FLUSH MOUNT MODEL

Model	Weight (lbs)	Rating @ 20°C ΔT (BTU/hr)	Amps Current Draw at 115 volts AC	Fan size	Dimensions-Inches (HxWxD)
CC400F	10 lbs	1,400	0.4	2x4"	22.5 x 6.25 x 4

Efficiency: 20.4 Watts / °C ΔT based on average internal cabinet temperature



CABINET HOLE PATTERN  
(EXTERNAL VIEW)



### PRODUCT SPECIFICATIONS

1. UL Listed for TYPE 12 environments
2. CC400F Rated cooling: 408 Watts at 20°C ΔT (20.4 W/°C, mounted to an uninsulated 24" X 24" X 16" Cabinet
3. Designed for surface mounting on outside of cabinet
4. Housing is aluminum (Standard color). Stainless Steel is available
5. Equipped with mounting gasket to maintain air tight seal
6. Internal 6-ft. Power cord with 3-prong plug is standard for AC powered Units
7. Available with VAC (115 & 230) and VDC (12, 24, & 48) fans. DC version includes junction box, consult website
8. Unit may be mounted vertically (as shown) or horizontally
9. Optional: Inlet air-filter kit available upon request
10. For design, quote, and sizing assistance: call (512) 595-5700

\*Subject to change without notice



### CC400F Type 12 Air to Air Flush Mount Model

205 s. Edmond Street  
Taylor, TX 76574  
(512) 595-5700.  
[www.norenthermal.com](http://www.norenthermal.com)

**CC400F TYPE 12**

CCS-PBD-7.2.2-883351-D