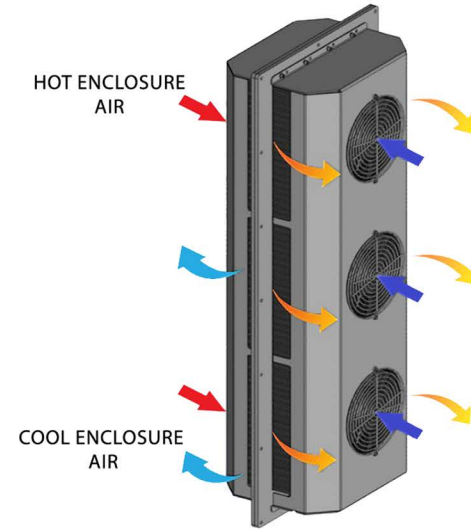
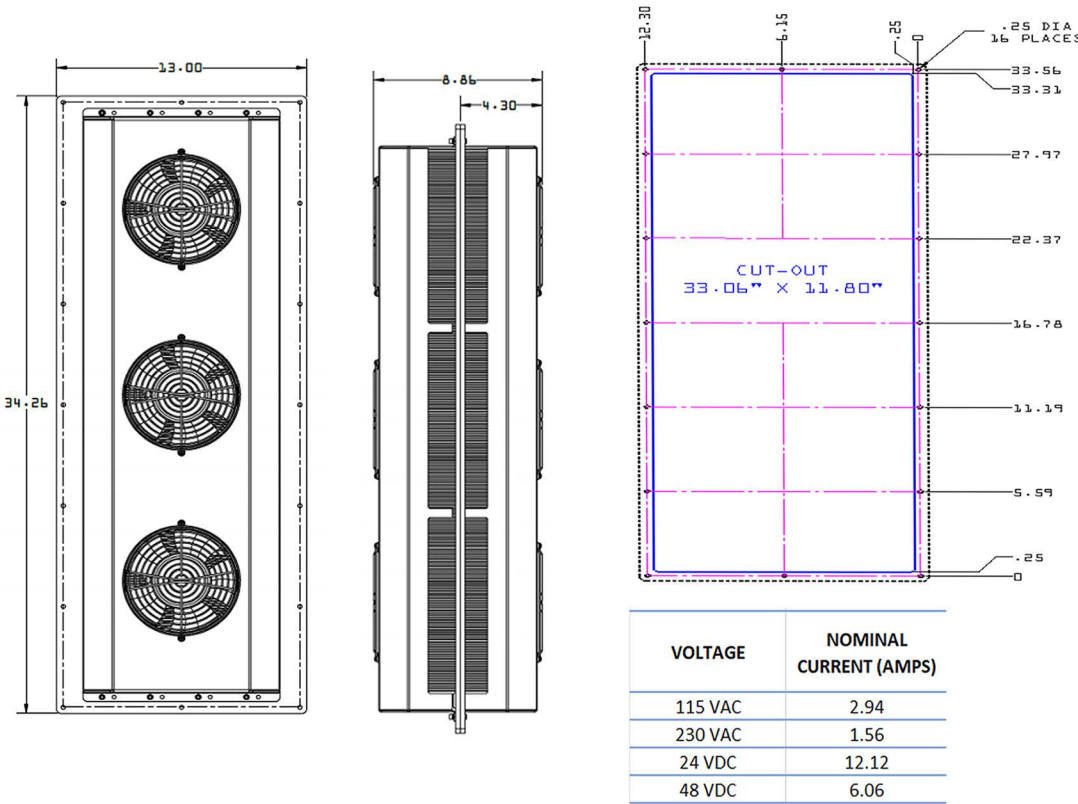


## HEAT EXCHANGER ECO COOL ECX-600

MODEL	Weight (lb)	Rating @ 20°C ΔT (BTU/hr)	Efficiency (Watts/°C)	Rating AT 20 °C ΔT <u>WATTS COOLING</u>	Amps CURRENT DRAW AT 115 VOLTS AC	FAN SIZE	DIMENSIONS  (INCHES) (HxWxD)
ECX-600	51 lb	5,100	80	1700	2.94	6 - 6"	34.26"H X 13"W X 9"D



## PRODUCT SPECIFICATIONS

1. UL Listed for Type 12 and 4 environments
2. ECX-600 Rated cooling: 1700 Watts at 20°C ΔT. (80 W/°C), mounted to an uninsulated 72" X 36" X 24" cabinet
3. Extend 4.3" into cabinet
4. Housing is aluminum (Standard color)
5. Equipped with mounting gasket to maintain airtight seal
6. Internal 6-ft power cord with 3-prong plug is standard for AC powered units
7. Available with VAC (115 & 230) (Frequency 50/60 Hz). VDC (24 & 48) fans. ZDC powered units include junction box, consult website
8. Unit may be mounted vertically (as shown) or horizontally
9. Drop-In and Flush mount versions available
10. For design, quote, and sizing assistance: call (512) 595-5700

\*Subject to change without notice



UL File #SA9567

**ECX-600**  
Eco-Cool Heat Exchanger  
Air-to-Air Drop-In Model

**NOREN**™ 205 s. Edmond Street  
Taylor, TX 76574  
THERMAL SOLUTIONS (512) 595-5700  
www.norenthermal.com

**ECX-600 DROP-IN MODEL**

ECX-PBD-8.2.1-883657-B