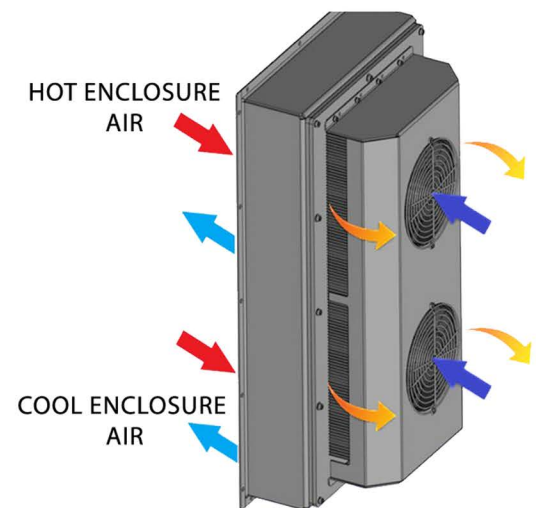
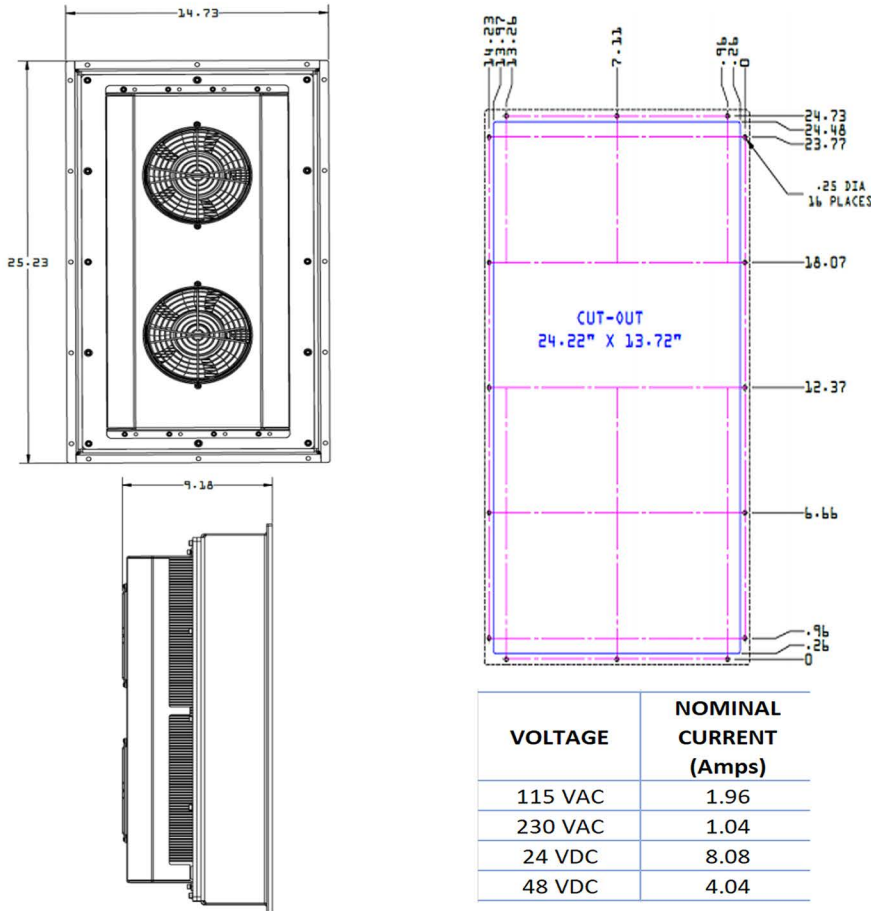


## HEAT EXCHANGER ECX-400F ECO COOL FLUSH MOUNT MODEL

| MODEL    | Weight (lb) | Rating @ 20°C ΔT (BTU/hr) | Efficiency (Watts/°C) | Rating AT 20 °C ΔT WATTS COOLING | Amps CURRENT DRAW AT 115 VOLTS AC | Fan Size | DIMENSIONS (INCHES) (HxWxD) |
|----------|-------------|---------------------------|-----------------------|----------------------------------|-----------------------------------|----------|-----------------------------|
| ECX-400F | 34 lb       | 3,960                     | 66                    | 1320                             | 1.96                              | 4" - 6"  | 25.23"H X 14.73"W X 9.18"D  |



## PRODUCT SPECIFICATIONS

1. UL Listed for Type 12 and 4 environments
2. ECX-400F Rated cooling: 1320 Watts at 20°C ΔT) (66 W/°C, mounted to an uninsulated 72" X 36" X 24" cabinet)
3. Housing is aluminum (Standard color)
4. Equipped with mounting gasket to maintain airtight seal
5. Internal 6-ft power cord with 3-prong plug is standard for AC powered units
6. Available with VAC (115 & 230) (Frequency 50/60 Hz). VDC (24 & 48) fans DC powered units include junction box, consult website
7. Unit may be mounted vertically (as shown) or horizontally
8. Drop-In and Flush mount versions available
9. For design, quote, and sizing assistance: call (512) 595-5700

Subject to change without notice

**Noren Thermal Solutions - 205 South Edmond Street, Taylor, TX 76574 - Ph (512) 595-5700 www.norenthermal.com**



UL File #SA9567

**ECX-400F**  
Eco-Cool Heat Exchanger  
Air-to-Air Flush Mount Model

**NOREN**™  
THERMAL SOLUTIONS  
205 s. Edmond Street  
Taylor, TX 76574  
(512) 595-5700  
[www.norenthermal.com](http://www.norenthermal.com)

**ECX-400 FLUSH MOUNT**

ECX-PBD-8.2.1-883660-B