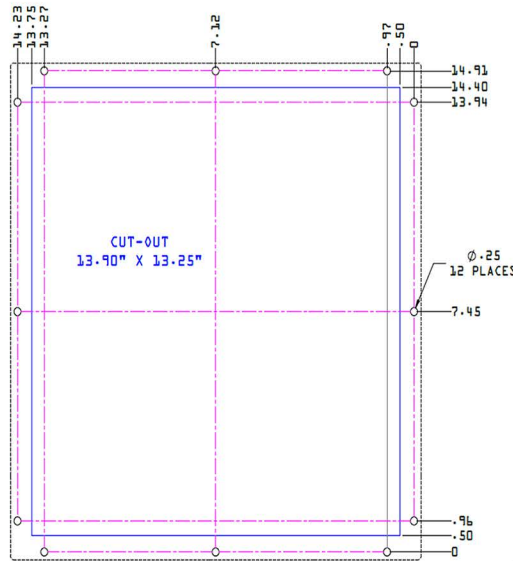
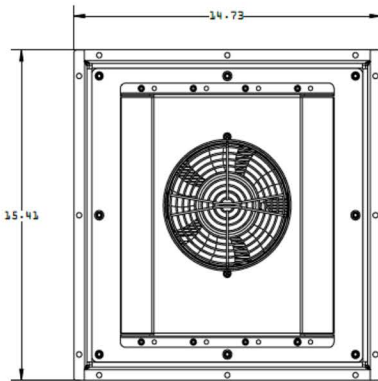
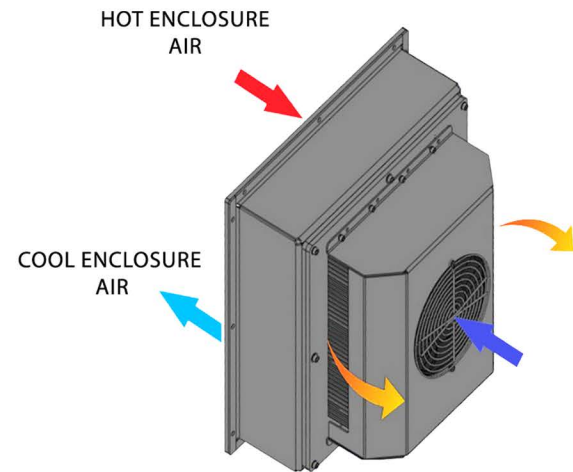


## HEAT EXCHANGER ECX-200F ECO COOL FLUSH MOUNT MODEL

MODEL	Weight (lb)	Rating @ 20°C ΔT (BTU/hr)	Efficiency (Watts/°C)	Rating AT 20 °C ΔT <u>WATTS COOLING</u>	Amps CURRENT DRAW AT 115 VOLTS AC	Fan Size	DIMENSIONS (INCHES) (HxWxD)
ECX-200F	25 lb	3,350	49	980	0.72	2 - 6"	16"H X 15"W X 9.5"D



VOLTAGE	NOMINAL CURRENT (AMPS)
115 VAC	0.72
230 VAC	0.36
24 VDC	2.64
48 VDC	1.20



## PRODUCT SPECIFICATIONS

1. UL Listed for Type 12 and 4 environments
2. ECX-200F Rated cooling: 980 Watts at 20°C ΔT. (49 W/°C), mounted to an uninsulated 72" X 36" X 24" cabinet
3. Housing is aluminum (Standard color)
4. Equipped with mounting gasket to maintain airtight seal
5. Internal 6-ft power cord with 3-prong plug is standard for AC powered units
6. Available with VAC (115 & 230) (Frequency 50/60 Hz).  
VDC (24 & 48) fans. DC powered units include junction box, consult website
7. Unit may be mounted vertically (as shown) or horizontally
8. Drop-In and Flush mount versions available
9. For design, quote, and sizing assistance: call (512) 595-5700

Subject to change without notice



UL File #SA9587



ECX-200F  
Eco-Cool Heat Exchanger  
Air-to-Air Flush Mount Model



**ECX-200 FLUSH MOUNT**

ECX-PBD-8.2-883662-B