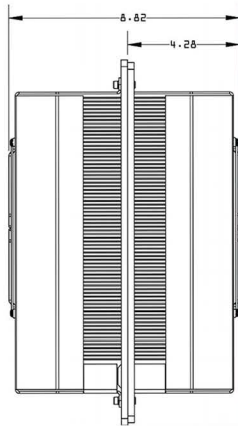
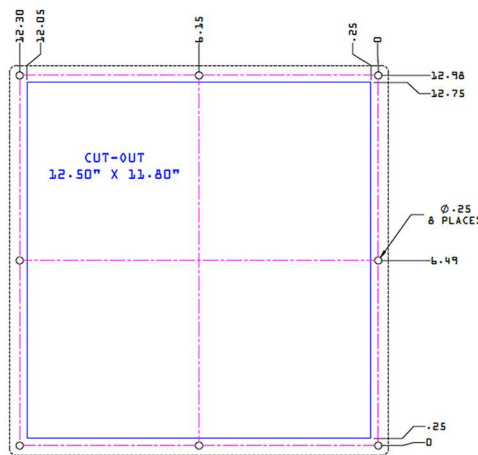
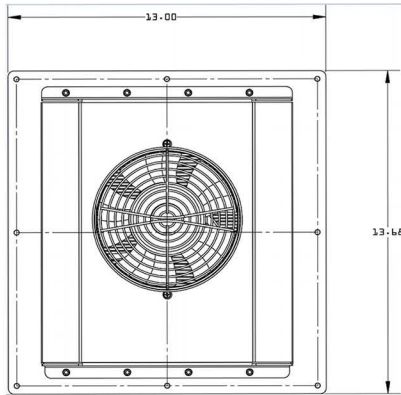
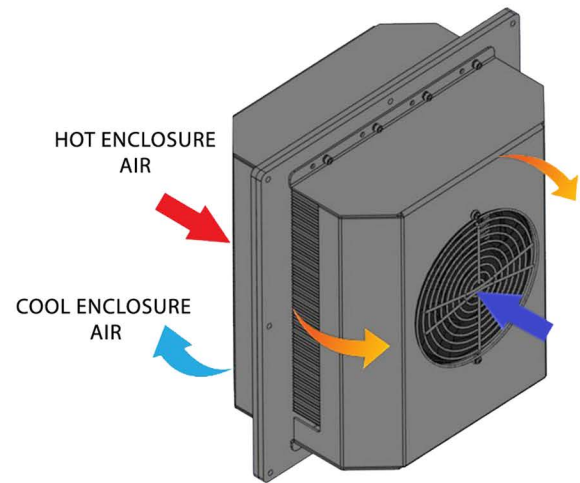


HEAT EXCHANGER ECX-200 ECO COOL DROP IN MODEL

MODEL	Weight (lb)	Rating @ 20°C ΔT (BTU/hr)	Efficiency (Watts/°C)	Rating AT 20 °C ΔT WATTS COOLING	Amps CURRENT DRAW AT 115 VOLTS AC	FAN SIZE	DIMENSIONS (INCHES) (HxWxD)
ECX-200	22 lb	3,350	49	980	0.72	2 - 6"	14" Hx13"W x9"D



VOLTAGE	NOMINAL CURRENT (AMPS)
115 VAC	0.72
230 VAC	0.36
24 VDC	2.64
48 VDC	1.20



PRODUCT SPECIFICATIONS

1. UL Listed for Type 12 and 4 environments
2. ECX-200 Rated cooling: 980 Watts at 20°C ΔT (49 W/°C) mounted to an uninsulated 72" X 36" X 24" cabinet
3. Housing is aluminum (Standard color)
4. Equipped with mounting gasket to maintain airtight seal
5. Internal 6-ft power cord with 3-prong plug is standard for AC powered units
6. Available with VAC (115 & 230) (Frequency 50/60) VDC (24 & 48) fans. DC powered units include junction box, consult website.
7. Unit may be mounted vertically (as shown) or horizontally
8. Drop-In and Flush mount versions available
9. For design, quote, and sizing assistance: call (512) 595-5700

*Subject to change without notice



ECX-200
Eco-Cool Heat Exchanger
Air-to-Air Drop-In Model

NOREN™
THERMAL SOLUTIONS

205 s. Edmond Street
Taylor, TX 76574
(512) 595-5700.
www.norenthermal.com

ECX -200 DROP-IN MODEL

ECX-PBD-8.2-883661-B