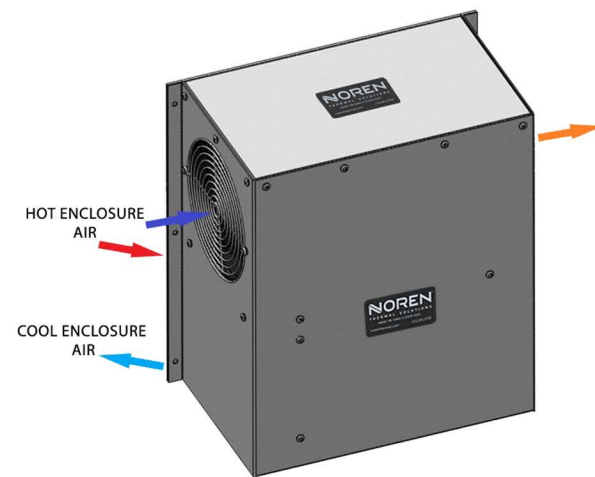
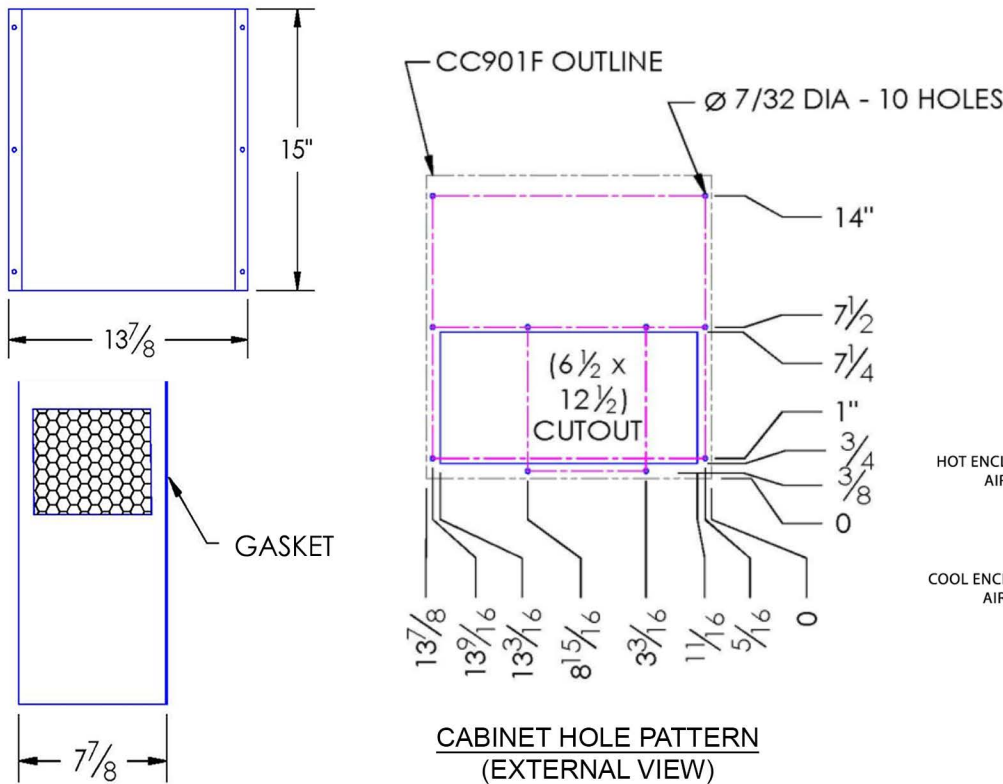


HEAT EXCHANGER CC901F WL TYPE 4 AIR TO AIR FLUSH MOUNT MODEL

Model	Weight (lbs)	Rating @ 20°C ΔT (BTU/hr)	Amps Current Draw at 115 volts AC	Fan size	Dimensions-Inches (HxWxD)
CC901F-WL-TYPE 4	16 lbs	4,500	0.6	2x6"	15 x 13.8 x 7.8
Efficiency: 66.0 Watts / °C ΔT based on average internal cabinet temperature					



PRODUCT SPECIFICATIONS

1. UL Listed for TYPE 4 environments
2. CC901F Rated cooling: 1,320 Watts at 20°C ΔT (66.0 W/°C, mounted to an uninsulated 72" x 36" x 24" cabinet)
3. Designed for surface mounting on outside of cabinet
4. Housing is aluminum (Standard color). Stainless steel is available (TYPE 4X)
5. Equipped with mounting gasket to maintain the TYPE 4 integrity of your cabinet
6. Pressure tested to insure liquid tight seal
7. External fan is UL rated for Wet Locations / Outdoor use (WL)
This new fan is the Noren Universal Fan (UF)
8. Internal 6-ft. power cord with 3-prong plug is standard for AC powered units
9. Available with VAC (115 & 230) and VDC (12, 24, & 48) fans. DC powered units include junction box, consult website
10. Vertical mounting (as shown) is standard. Call for horizontal applications
11. Optional: inlet air-filter kit available upon request
12. For design, quote, and sizing assistance: call (512) 595-5700

*Subject to change without notice



UL File #SA9567

CC901F WL Type 4 Air to Air Flush Mount Model

205 s. Edmond Street
Taylor, TX 76574
(512) 595-5700.
www.norenthermal.com

CC901F-WL-TYPE 4

CCS-PBD-7.2.2-883609-C