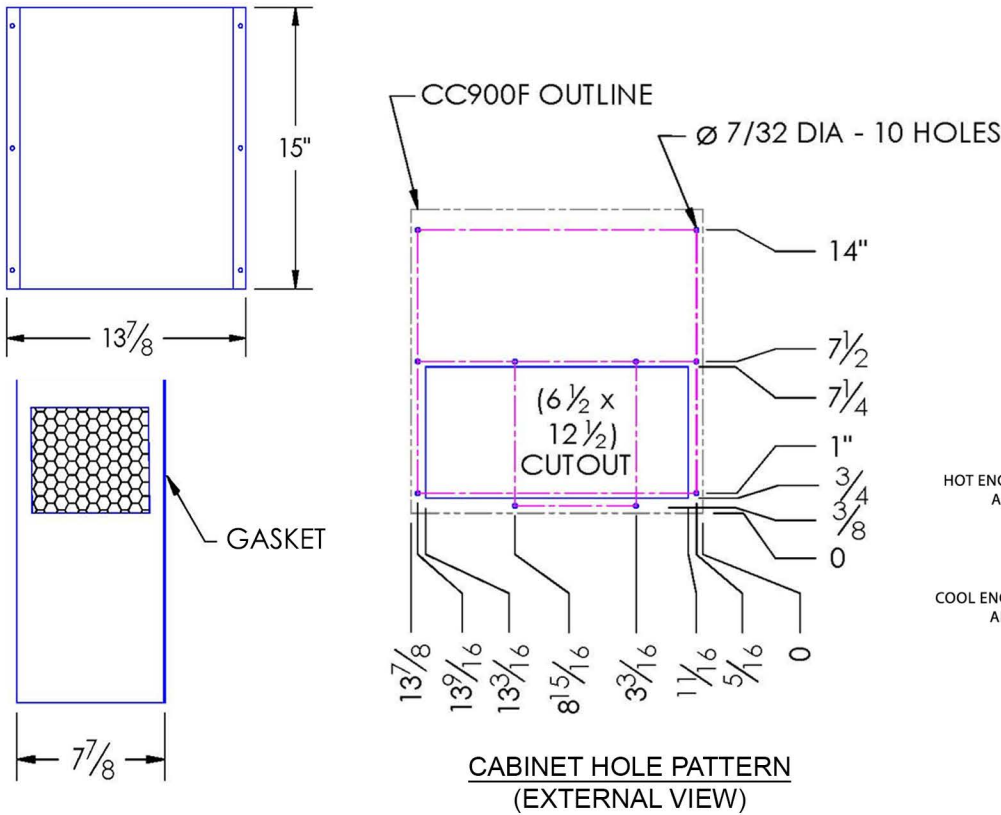
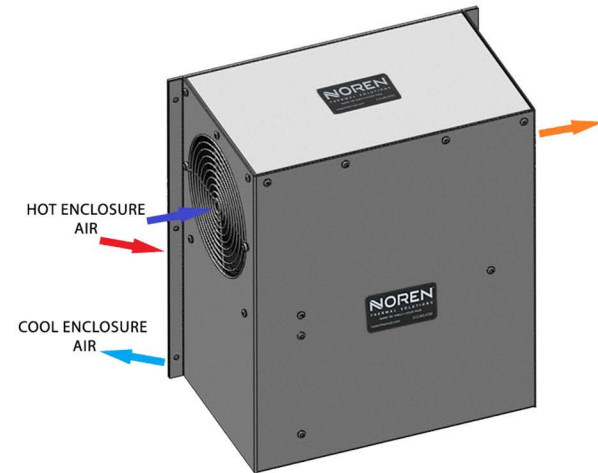


HEAT EXCHANGER CC900F TYPE 12 AIR TO AIR FLUSH MOUNT MODEL

Model	Weight (lbs)	Rating @ 20°C ΔT (BTU/hr)	Amps Current Draw at 115 volts AC	Fan size	Dimensions-Inches (HxWxD)
CC900F	16 lbs	4,500	0.6	2x6"	15 x 13.8 x 7.8
Efficiency: 66.0 Watts / °C ΔT based on average internal cabinet temperature					



PRODUCT SPECIFICATIONS


1. UL Listed for TYPE 12 environments
2. CC900F Rated cooling: 1,320 Watts at 20°C ΔT (66.0W/°C, mounted to an uninsulated 72" X 36" X 24" Cabinet)
3. Designed for surface mounting on outside of cabinet
4. Housing is aluminum (Standard color). Stainless steel is available
5. Equipped with mounting gasket to maintain air tight seal
6. Internal 6-ft. power cord with 3-prong plug is standard for AC powered units
7. Available with VAC (115 & 230) and VDC (12, 24, & 48) fans. DC powered units include junction box, consult website
8. Unit may be mounted vertically (as shown) or horizontally
9. Optional: inlet air-filter kit available upon request
10. For design, quote, and sizing assistance: call (512) 595-5700

*Subject to change without notice



UL File #SA9567

CC900F Type 12 Air to Air Flush Mount Model



205 s. Edmond Street
Taylor, TX 76574
(512) 595-5700
www.norenthermal.com

CC900F TYPE 12

CCS-PBD-7.2.2-883352-C