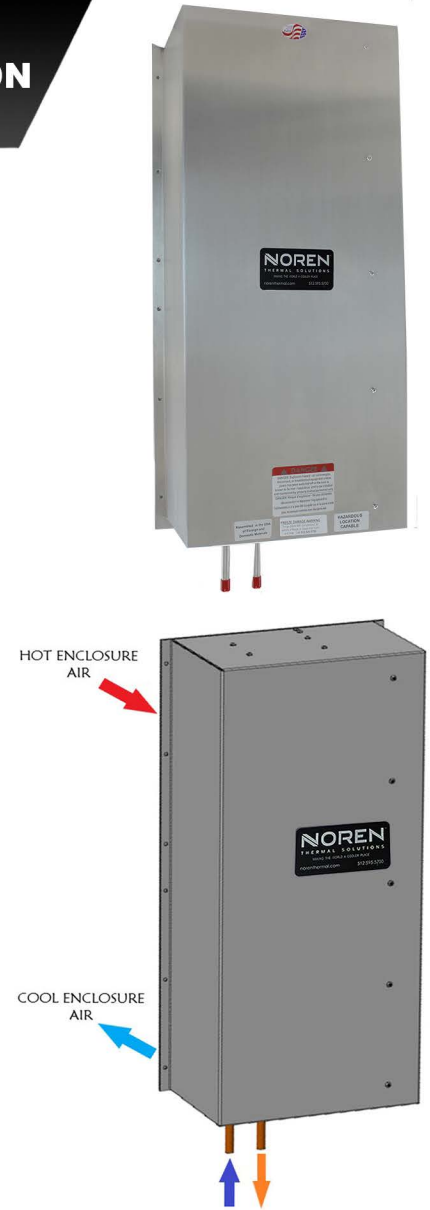
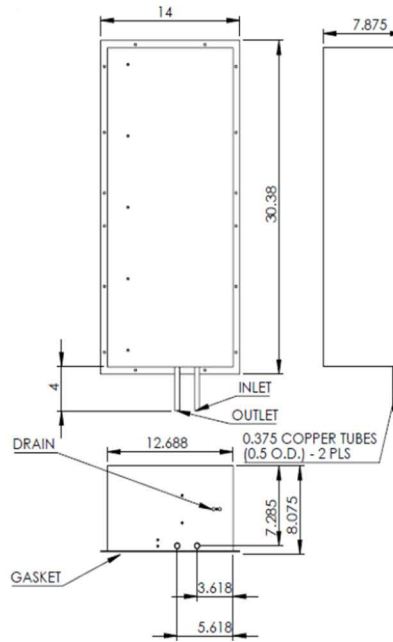
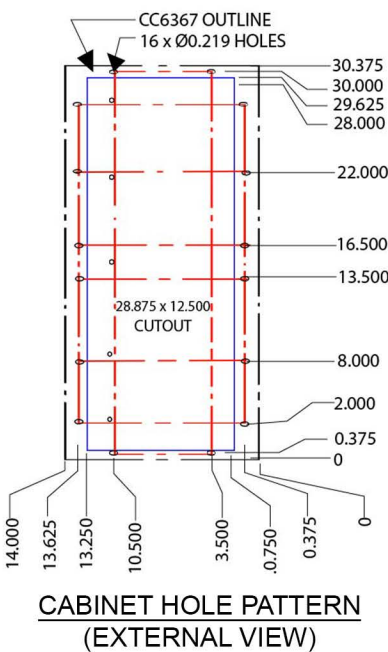


## HEAT EXCHANGER CC6367PHL WL IP66, XXX CLASS 1 / ZONE 2 (ATEX/IECEX) HAZARDOUS LOCATION AIR TO WATER FLUSH MOUNT MODEL

Model	Weight (lbs)	Rating @ 40°C ΔT (BTU/hr)	Amps Current Draw at 115 volts AC	Fan size	Dimensions-Inches (HxWxD)
CC6367PHL	52 lbs	21,800	0.9	3x6"	30.3 x 14 x 8
Efficiency: 159.7 Watts / °C ΔT based on average internal cabinet temperature					
ATEX/IECEX Certificate Reference: <b>DEMKO 15 ATEX 1403. IECEX UL 15.0081 X</b>					



### PRODUCT SPECIFICATIONS

1. ATEX/IECEX certified for hazardous locations Class I, Zone 2 environments
2. CC6367PHL Rated cooling: 6.389 Watts mounted to an uninsulated 72" x 36" x 24" Cabinet with 1 GMP of water at 20°C, 40°C ambient air and 60°C cabinet air temperature
3. Designed for surface mounting on outside of cabinet.
4. Housing is Stainless Steel (TYPE 316 14 GAUGE)
5. External water inlet and outlet connections
6. Equipped with mounting gasket to maintain airtight seal
7. Pressure tested to assure watertight seal
8. Available with AC (115 & 230V) and DC (12, 24 & 48V)
9. Vertical mounting only
10. Coolant water pressure: Pressure tested to 100psi. Safe working pressure is 60 psi
11. Recommended coolant water flow rate (gallons per minute): 1GPM
12. ATEX/IECEX Standards: 60079-0, 6th Ed. + Corr. 1:2012 + Corr. 2:2013, IEC 60079-15, 4th Ed., CENELEC EN 60079-0:2012 + A11:2013 and CENELEC EN 60079-15:2010
13. For design, quote, and sizing assistance: call (512) 595-5700

\*Subject to change without notice



Hazardous Location, Class 1, Zone 2  
(ATEX/IECEX)  
Air to Water Flush Mount Model



205 s. Edmond Street  
Taylor, TX 76574  
(512) 595-5700  
[www.norenthermal.com](http://www.norenthermal.com)

**CC6367PHL-WL-IP66, xxx**

UL-PBD-7.2.2-200008-D