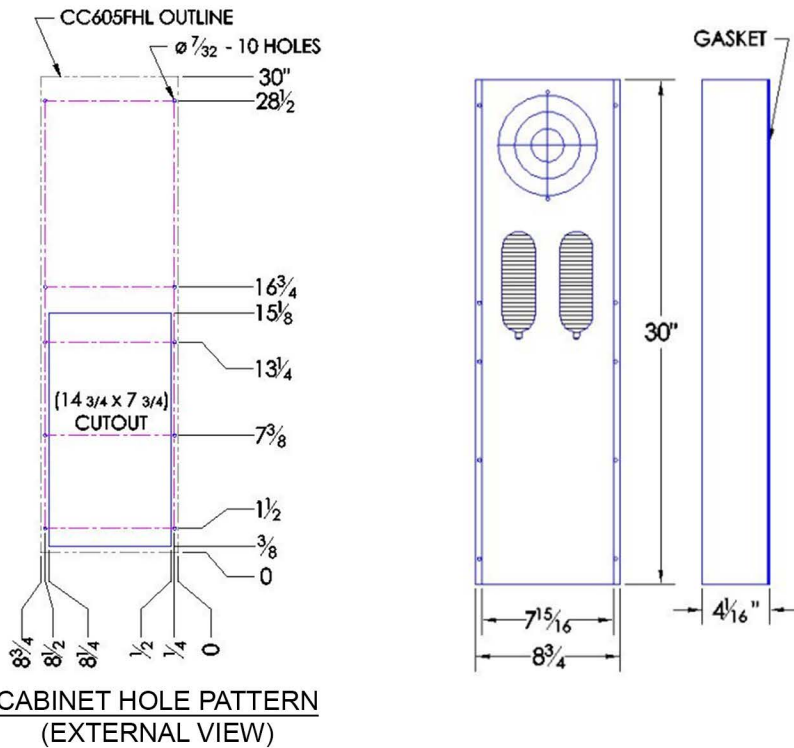
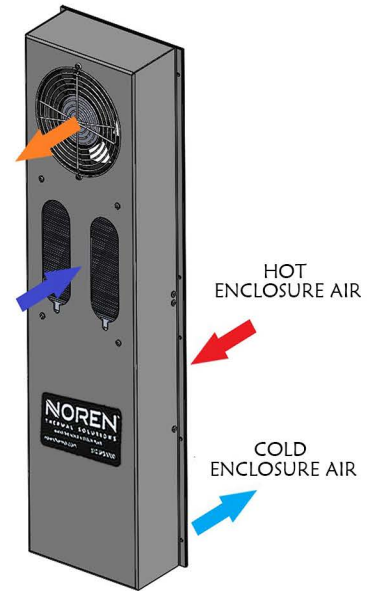


HEAT EXCHANGER CC605FHL WL TYPE 4X, XXX, HAZARDOUS LOCATION CLASS 1/DIV 2 AIR TO AIR FLUSH MOUNT MODEL

Model	Weight (lbs)	Rating @ 20°C ΔT (BTU/hr)	Amps Current Draw at 115 volts AC	Fan size	Dimensions-Inches (HxWxD)
CC605FHL	23 lbs	3,300	0.72	2x6"	30 x 8.75 x 4.06
Efficiency: 49.4 Watts / °C ΔT based on average internal cabinet temperature					



CABINET HOLE PATTERN
(EXTERNAL VIEW)

PRODUCT SPECIFICATIONS

1. UL Listed for TYPE 4X environments, Hazard Location Class 1 / Div 2
2. CC605FHL Rated cooling: 988 Watts at 20°C ΔT (Temp Code T4)
(49.4 W/°C, mounted to an uninsulated 72" x 36" x 24" Cabinet)
3. Designed for surface mounting on outside of purged or non-purged cabinet
4. Housing is Stainless Steel (TYPE 316)
5. Equipped with mounting gasket to the TYPE 4X integrity of your cabinet
6. Pressure tested to insure liquid tight seal
7. External fan is UL rated for Wet Locations / Outdoor use (WL)
8. Internal 6-ft power cord
9. Available with DC and AC (12VDC, 24VDC, 48VDC, 115VAC & 230VAC) Designation xxx indicates voltage
10. Vertical mounting (as shown) is standard. Call for horizontal applications
11. Optional: inlet air-filter kit available upon request
12. For design, quote, and sizing assistance: call (512) 595-5700

*Subject to change without notice



Hazardous Location, Class 1, Division 2,
Group A, B, C and D
Air to Air Flush Mount Model



205 s. Edmond Street
Taylor, TX 76574
(512) 595-5700
www.norenthermal.com

**CC605FHL-WL-TYPE 4X,
xxx, Class 1/Div 2**

CCS-PBD-8.2.1-883616-E