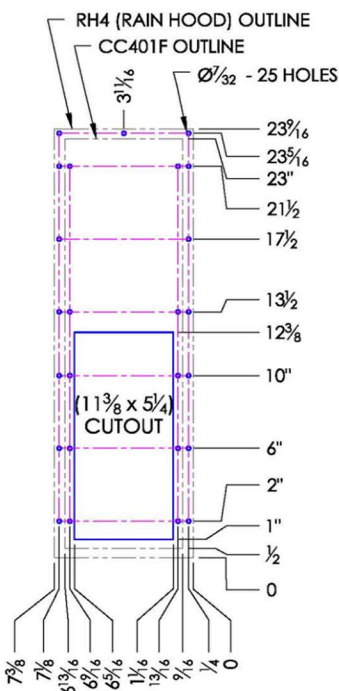
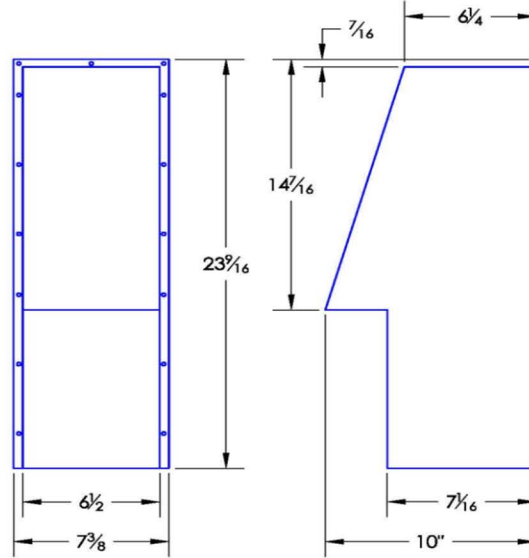


HEAT EXCHANGER CC401F-RH4 & CC401F-WL*-RH4 AIR TO AIR FLUSH MOUNT MODEL

Model	Weight (lbs)	Rating @ 20°C ΔT (BTU/hr)	Amps Current Draw at 115 volts AC	Fan size	Dimensions-Inches (HxWxD)
CC401F-RH4	14 lbs	1,400	0.4	2x4"	23.5 x 7.38 x 10
Efficiency: 20.4 Watts / °C ΔT based on average internal cabinet temperature					

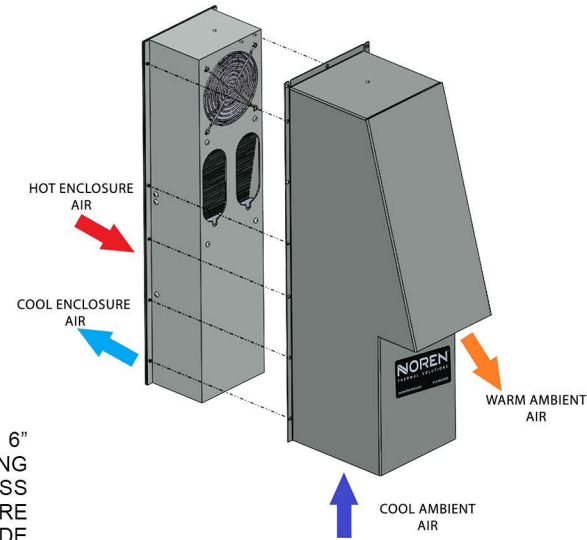


CABINET HOLE PATTERN
(EXTERNAL VIEW)



MOUNTING INFORMATION:

BOTTOM OF HOOD (AIR INLET) MUST BE AT LEAST 6" ABOVE FLOOR OR A HORIZONTAL SURFACE. MOUNTING FASTENERS ARE PROVIDED (8-32 x 3/4" STAINLESS STEEL SCREWS & NUTS). SEALING WASHERS ARE PROVIDED FOR SEALING MOUNTINGFASTENERS INSIDE YOUR ENCLOSURE.



PRODUCT SPECIFICATIONS

- Unit and options are UL Listed (SA9567)
- For NEMA / TYPE 3R or 4 applications (OUTDOOR USE)
Equipped with mounting gasket to maintain the NEMA / TYPE 3R
- or 4 integrity of customer's cabinet
- Pressure tested to insure liquid tight seal
- *Optional "WET LOCATION FAN" (WL) is required for any "HOSE DOWN" application**
- Cabinet Cooler with hood design for surface mounting on outside of cabinet
- Standard aluminum housing color. Stainless steel is available
Rated cooling: 408 Watts at 20°C ΔT (20.4 W/°C, mounted to an
- uninsulated 24" X 24" X 16" cabinet)
- Optional: Inlet air-filter kit available upon request
Available with VAC (115 & 230) and VDC (12, 24, & 48) fans.
- DC version includes junction box, consult website
- For design, quote, and sizing assistance: call (512) 595-5700

*Subject to change without notice



CC401F-RH4 & CC401F-WL*-RH4 Air to Air Flush Mount Model

NOREN™ 205 s. Edmond Street
TAYLOR, TX 76574
(512) 595-5700
www.norenthermal.com

CC401F-RH4 & CC401F-WL*-RH4

CCS-PBD-7.2.2-883337-C