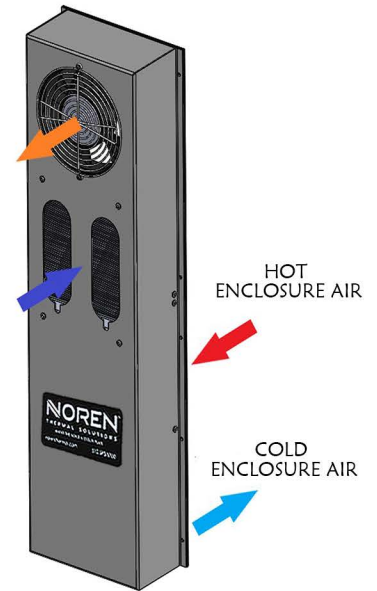
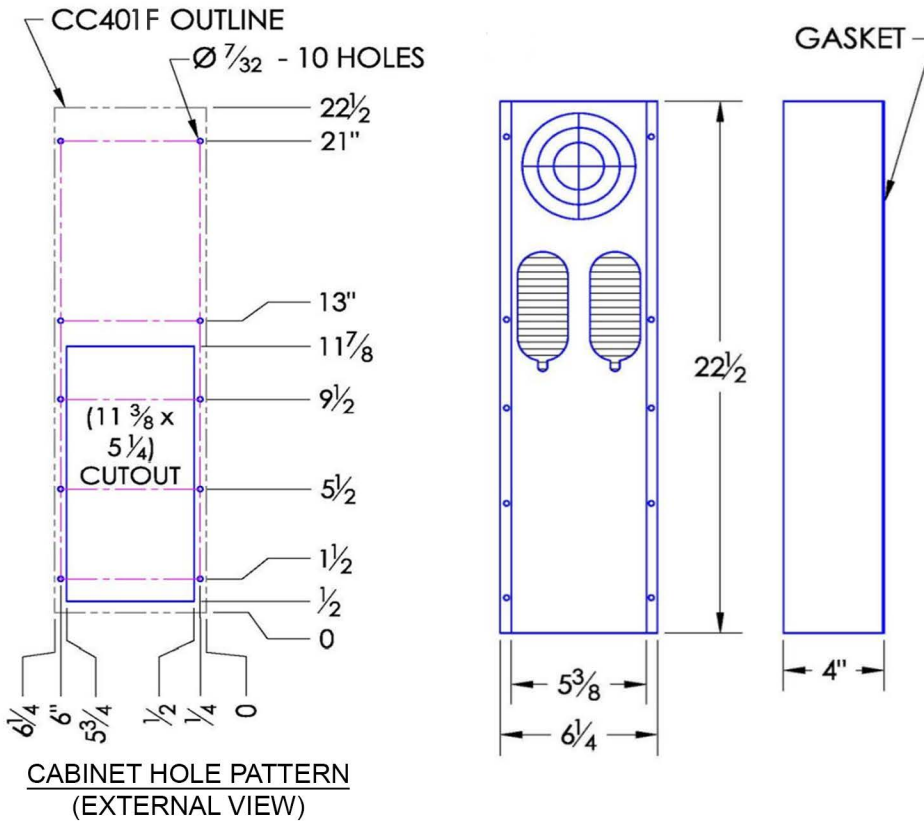


HEAT EXCHANGER CC401F WL TYPE 4X AIR TO AIR FLUSH MOUNT MODEL

Model	Weight (lbs)	Rating @ 20°C ΔT (BTU/hr)	Amps Current Draw at 115 volts AC	Fan size	Dimensions-Inches (HxWxD)
CC401-WL-TYPE 4X	15 lbs	1,400	0.4	2x4"	22.5 x 6.25 x 4
Efficiency: 20.4 Watts / °C ΔT based on average internal cabinet temperature					



PRODUCT SPECIFICATIONS

1. UL Listed for TYPE 4 or 4X environments
2. CC401F Rated cooling: 408 Watts at 20°C ΔT (20.4 W/°C, mounted to an uninsulated 24" X 24" X 16" Cabinet)
3. Designed for surface mounting on outside of cabinet
4. Housing is Type 304 Stainless Steel. (316 SS or powder coated Aluminum optional)
5. Equipped with mounting gasket to maintain the TYPE 4X integrity of your cabinet
6. Pressure tested to insure liquid tight seal
7. External fan is UL rated for Wet Locations / Outdoor use (WL)
8. Internal 6-ft. Power cord with 3-prong plug is standard for AC powered Units
9. Available with VAC (115 & 230) and VDC (12, 24, & 48) fans.
DC powered units include junction box, consult website
10. Vertical mounting (as shown) is standard. Call for horizontal applications
11. Optional: Inlet air-filter kit available upon request
12. For design, quote, and sizing assistance: call (512) 595-5700

*Subject to change without notice



UL File #SA9567



CC401F WL Type 4X Air to Air Flush Mount Model

NOREN™ THERMAL SOLUTIONS
205 s. Edmond Street
Taylor, TX 76574
(512) 595-5700
www.norenthermal.com

CC401F-WL-TYPE 4X

CCS-PBD-7.2.2-883387-C