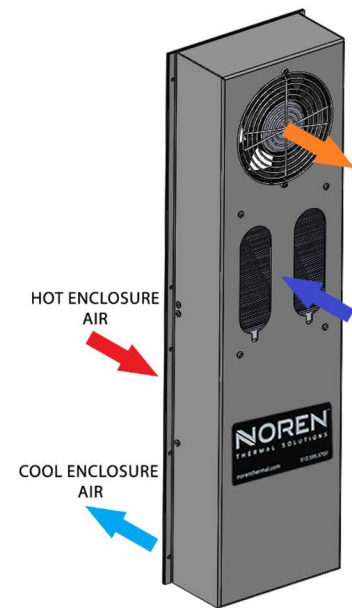
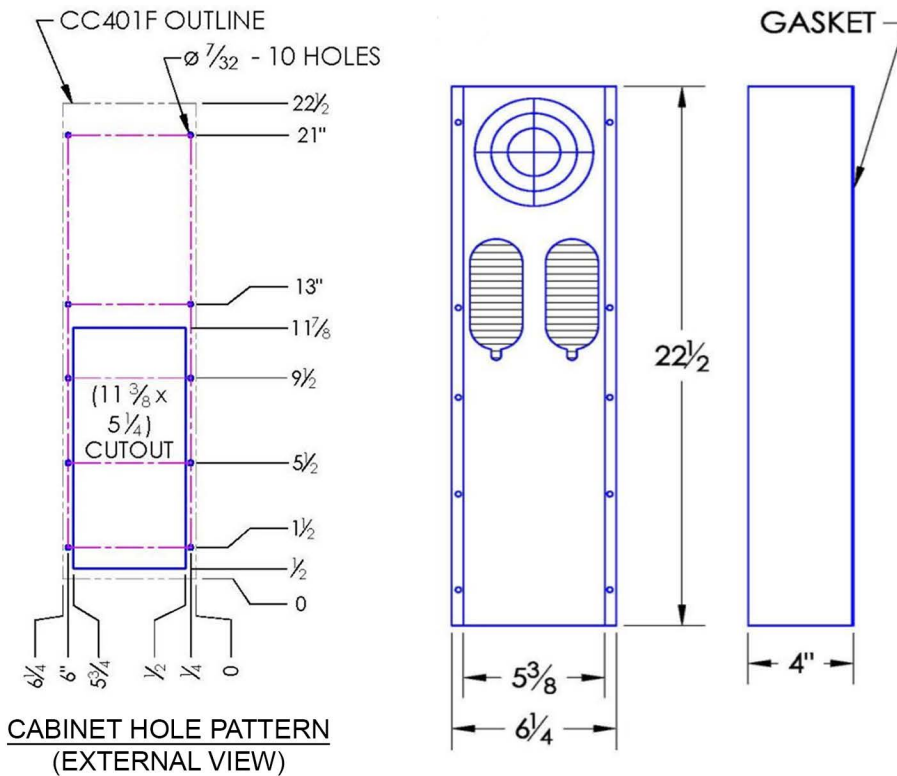


## HEAT EXCHANGER CC401F WL TYPE 4 AIR TO AIR FLUSH MOUNT MODEL

Model	Weight (lbs)	Rating @ 20°C ΔT (BTU/hr)	Amps Current Draw at 115 volts AC	Fan size	Dimensions-Inches (HxWxD)
CC401F-WL-TYPE 4	10 lbs	1,400	0.4	2x4"	22.5 x 6.25 x 4
Efficiency: 20.4 Watts / °CΔT based on average internal cabinet temperature					



### PRODUCT SPECIFICATIONS

1. UL Listed for TYPE 4 environments
2. CC401F Rated cooling: 408 Watts at 20°C ΔT (20.4 W/°C, mounted to an uninsulated 24" X 24" X 16" Cabinet)
3. Designed for surface mounting on outside of cabinet
4. Housing is aluminum (Standard color). Stainless Steel is available (TYPE 4X)
5. Equipped with mounting gasket to maintain the TYPE 4 integrity of your cabinet
6. Pressure tested to insure liquid tight seal
7. External fan is UL rated for Wet Locations / Outdoor use (WL). This new fan is the Noren Universal Fan (UF)
8. Internal 6-ft. Power cord with 3-prong plug is standard for AC powered Units
9. Available with VAC (115 & 230) and VDC (12, 24, & 48) fans.  
DC powered units includes junction box, consult website
10. Vertical mounting (as shown) is standard. Call for horizontal applications
11. Optional: Inlet air-filter kit available upon request
12. For design, quote, and sizing assistance: call (512) 595-5700

\*Subject to change without notice



UL File #SA9567

### CC401F WL Type 4 Air to Air Flush Mount Model

	205 s. Edmond Street Taylor, TX 76574 (512) 595-5700. <a href="http://www.norenthermal.com">www.norenthermal.com</a>
	<p><b>CC401F-WL-TYPE 4</b></p> <p>CCS-PBD-7.2.2-883398-C</p>