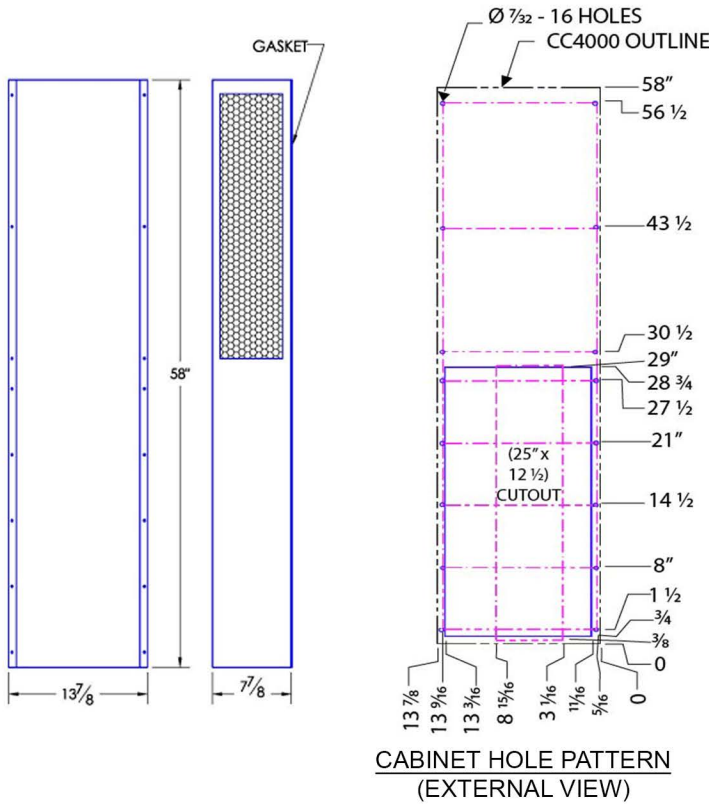
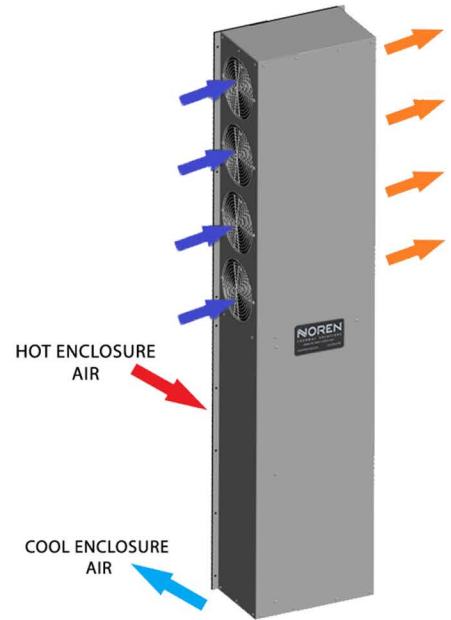


HEAT EXCHANGER CC4001F WL TYPE 4 AIR TO AIR FLUSH MOUNT MODEL

Model	Weight (lbs)	Rating @ 20°C ΔT (BTU/hr)	Amps Current Draw at 115 volts AC	Fan size	Dimensions-Inches (HxWxD)
CC4001F-WL-TYPE 4	60 lbs	13,700	2.4	8x6"	58 x 13.88 x 7.88
Efficiency: 62.7 Watts / °C ΔT based on average internal cabinet temperature					



CABINET HOLE PATTERN
(EXTERNAL VIEW)



PRODUCT SPECIFICATIONS

1. UL Listed for TYPE 4 environments
2. CC4001F Rated cooling: 4,000 Watts at 20°C ΔT (200.0 W/°C, mounted to an uninsulated 72" x 36" x 24" cabinet)
3. Designed for surface mounting on the outside of cabinet
4. Housing is aluminum (Standard color). Stainless steel is available
5. Equipped with mounting gasket to maintain the TYPE 4 integrity of your cabinet
6. Pressure tested to insure liquid light seal
7. External fan is UL rated for Wet Location / Outdoor use (WL).
8. Internal 6-ft. Power cord with 3-prong plug is standard for AC powered Units
9. Available with VAC (115 & 230) fans
10. Unit may be mounted vertically (as shown) or horizontally
11. Optional: Inlet air-filter kit available upon request
12. For design, quote, and sizing assistance: call (512)595-5700



CC4001F WL Type 4 Air to Air Flush Mount Model



CC4001 FLUSH MOUNT

CCS-PBD-7.2.2-883313-E

*Subject to change without notice