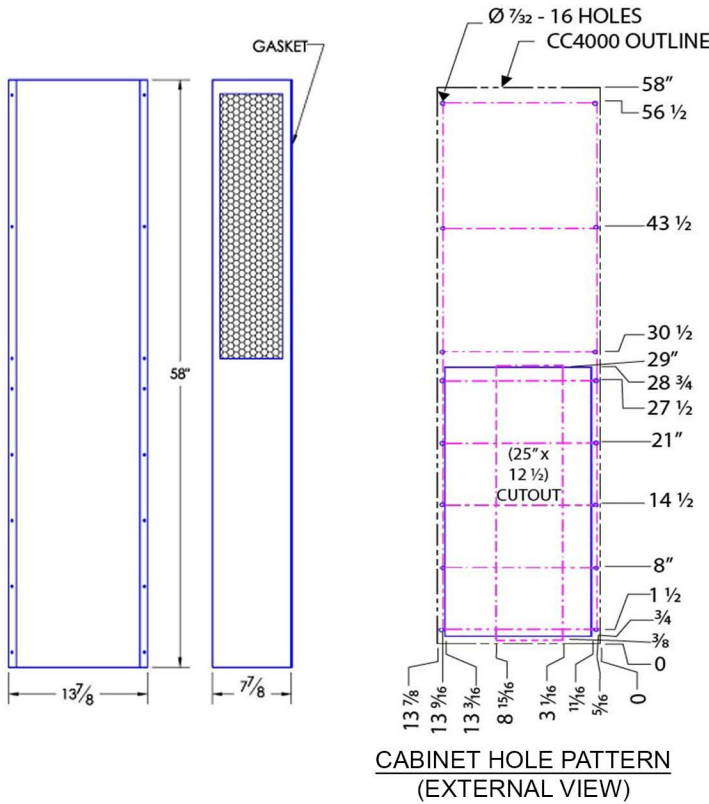
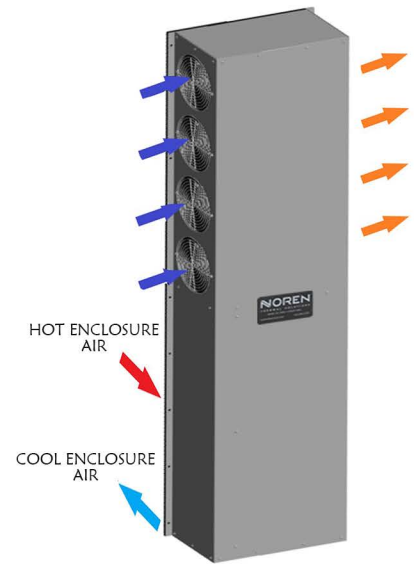


HEAT EXCHANGER CC4001F WL TYPE 4X AIR TO AIR FLUSH MOUNT MODEL

Model	Weight (lbs)	Rating @ 20°C ΔT (BTU/hr)	Amps Current Draw at 115 volts AC	Fan size	Dimensions-Inches (HxWxD)
CC4001F-WL-TYPE 4X	60 lbs	13,700	2.4	8x6"	58 x 13.88 x 7.88
Efficiency: 62.7 Watts / °C ΔT based on average internal cabinet temperature					



CABINET HOLE PATTERN
(EXTERNAL VIEW)



PRODUCT SPECIFICATIONS

1. UL Listed for TYPE 4 or 4X environments
2. CC4001F Rated cooling: 4,000 Watts at 20°C ΔT (200.0 W/°C, mounted to an uninsulated 72" x 36" x 24" cabinet)
3. Designed for surface mounting on the outside of cabinet
4. Housing is Type 304 Stainless Steel. (316 SS or powder coated Aluminum optional)
5. Equipped with mounting gasket to maintain the TYPE 4X integrity of your cabinet
6. Pressure tested to insure liquid light seal
7. External fan is UL rated for Wet Location / Outdoor use (WL)
8. Internal 6-ft. Power cord with 3-prong plug is standard for AC powered Units
9. Available with VAC (115 & 230) fans
10. Unit may be mounted vertically (as shown) or horizontally
11. Optional: Inlet air-filter kit available upon request
12. For design, quote, and sizing assistance: call (512) 595-5700

*Subject to change without notice



CC4001F WL Type 4X Air to Air Flush Mount Model



CC4001F FLUSH MOUNT TYPE 4X

CCS-PBD-7.2.2-883313-E