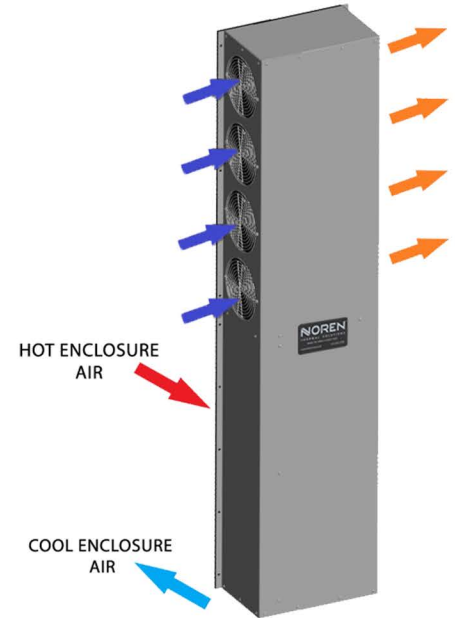
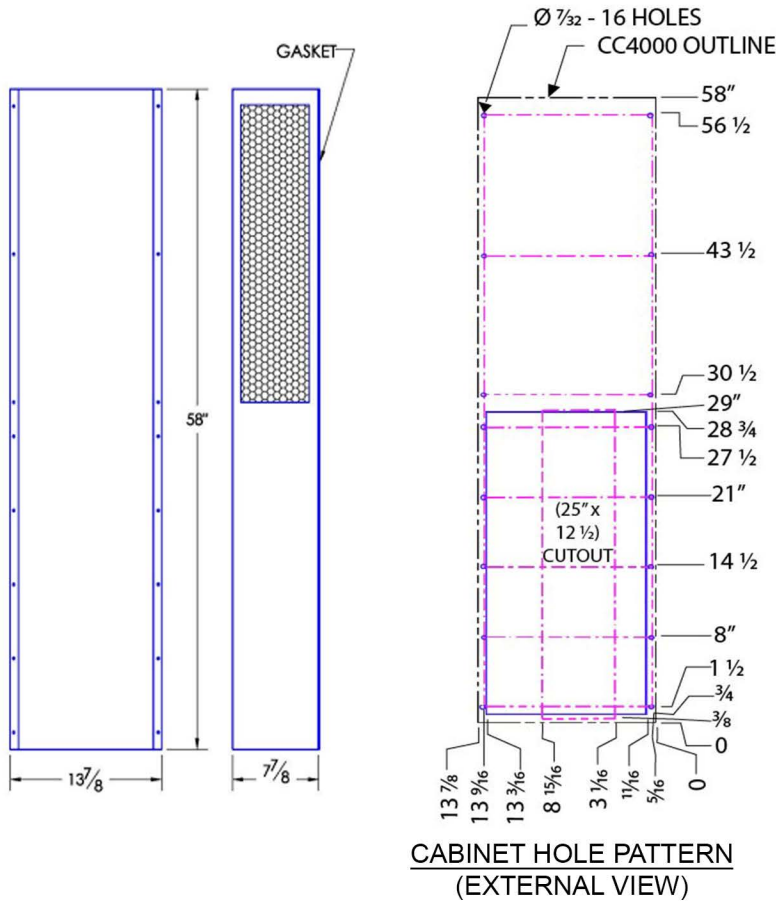


HEAT EXCHANGER CC4000 TYPE 12 AIR TO AIR FLUSH MOUNT MODEL

Model	Weight (lbs)	Rating @ 20°C ΔT (BTU/hr)	Amps Current Draw at 115 volts AC	Fan size	Dimensions-Inches (HxWxD)
CC4000F	60 lbs	13,700	2.4	8x6"	58 x 13.88 x 7.88

Efficiency: 62.7 Watts / °C ΔT based on average internal cabinet temperature



PRODUCT SPECIFICATIONS

1. UL Listed for TYPE 12 environments
2. CC4000F Rated cooling: 4,000 Watts at 20°C ΔT (200.0 W/°C, mounted to an uninsulated 72" x 36" x 24" cabinet)
3. Designed for surface mounting on the outside of cabinet
4. Housing is aluminum (Standard color). Stainless steel is available
5. Equipped with mounting gasket to maintain airtight seal
6. Available with VAC (115 & 230) and VDC (12, 24, & 48V) fans
7. Unit may be mounted vertically (as shown) or horizontally
8. Optional: Inlet air-filter kit available upon request
9. For design, quote, and sizing assistance: call (512)595-5700

*Subject to change without notice



CC4000 Type 12 Air to Air Flush Mount Model

205 s. Edmond Street
Taylor, TX 76574
(512) 595-5700
www.norenthermal.com

CC4000 FLUSH MOUNT

CCS-PBD-7.2.2-883313-E