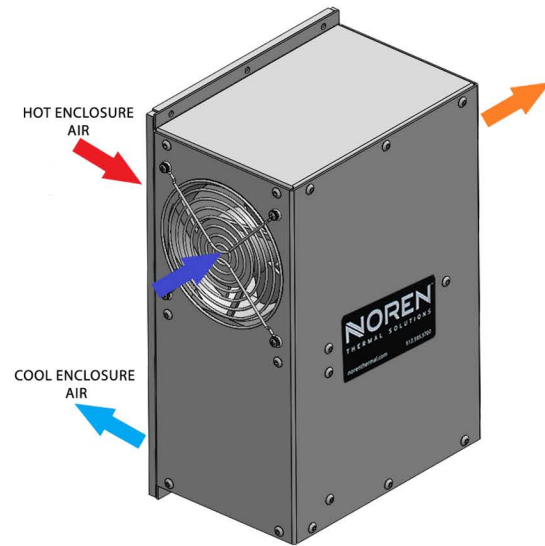
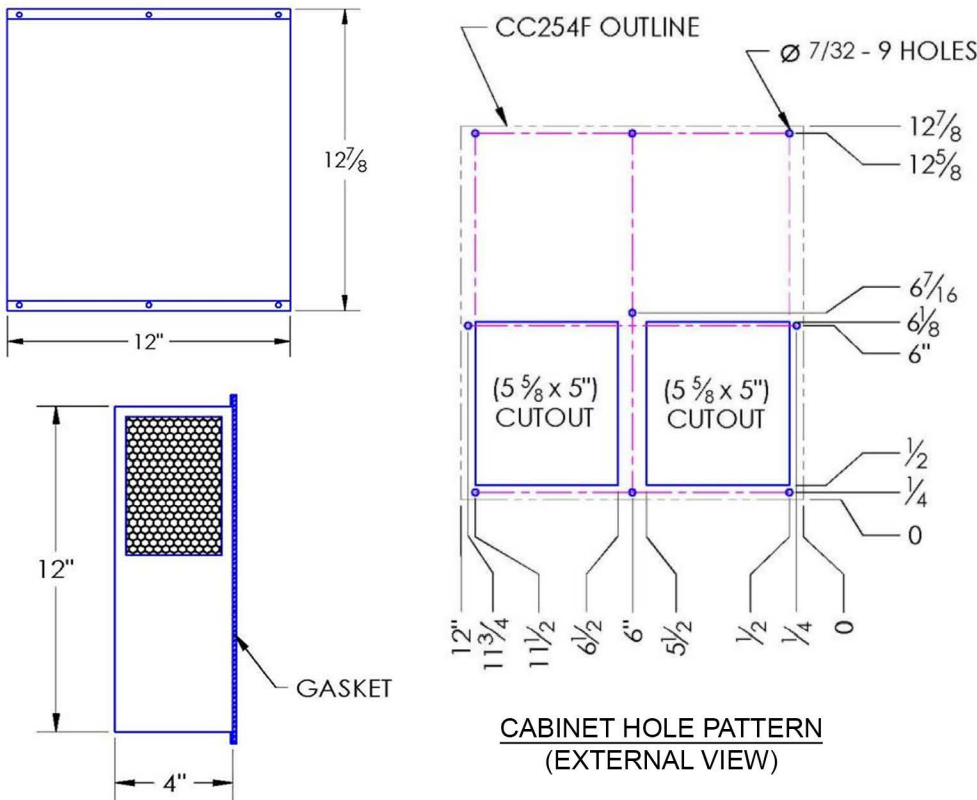
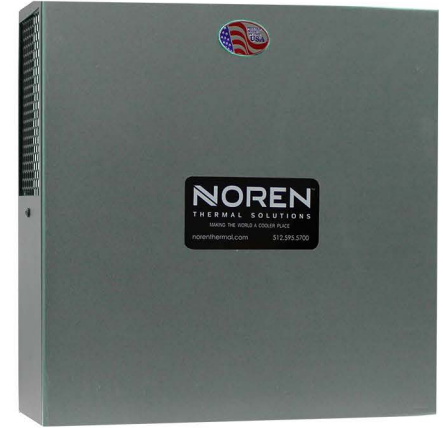


## HEAT EXCHANGER CC254F TYPE 12 AIR TO AIR FLUSH MOUNT MODEL

Model	Weight (lbs)	Rating @ 20°C ΔT (BTU/hr)	Amps Current Draw at 115 volts AC	Fan size	Dimensions-Inches (HxWxD)
CC254F	8 lbs	1,100	0.4	2x4"	12.8 x 12 x 4

Efficiency: 16.5 Watts / °C ΔT based on average internal cabinet temperature



### PRODUCT SPECIFICATIONS

1. UL Listed for TYPE 12 environments
2. CC254F Rated cooling: 330 Watts at 20°C ΔT (16.5 W/°C, mounted to an uninsulated 24" X 24" X 16" Cabinet)
3. Designed for surface mounting on outside of cabinet
4. Housing is aluminum (Standard color). Stainless steel is available
5. Equipped with mounting gasket to maintain airtight seal
6. Internal 6-ft. Power cord with 3-prong plug is standard for AC powered units
7. Available with VAC (115 & 230) and VDC (12, 24, & 48) fans. DC powered units include junction box, consult website
8. Unit may be mounted vertically (as shown) or horizontally
9. Optional: Inlet air-filter kit available upon request
10. For design, quote, and sizing assistance: call (512) 595-5700

\*Subject to change without notice



UL File #SA9567



### CC254F Type 12 Air to Air Flush Mount Model

**NOREN™** THERMAL SOLUTIONS  
205 s. Edmond Street  
Taylor, TX 76574  
(512) 595-5700  
[www.norenthermal.com](http://www.norenthermal.com)

#### CC254F TYPE 12

CCS-PBD-7.2.2-883357-C