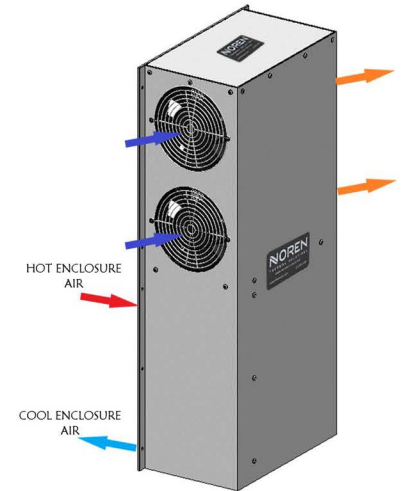
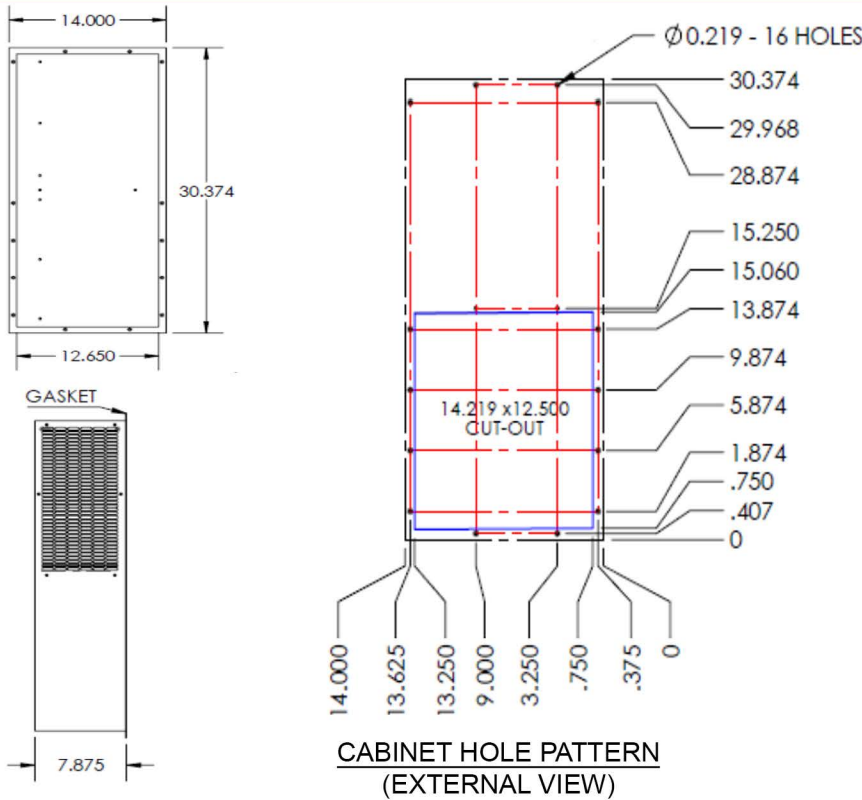


HEAT EXCHANGER CC2507FHL WL IP66, XXX, HAZARDOUS LOCATION CLASS 1 / ZONE 2 (ATEX/IECEX) AIR TO AIR FLUSH MOUNT MODEL

| Model | Weight (lbs) | Rating @ 20°C ΔT (BTU/hr) | Amps Current Draw at 115 volts AC | Fan size | Dimensions-Inches (HxWxD) |
|---|--------------|------------------------------|---|----------|------------------------------|
| CC2507FHL | 54 lbs | 7,100 | 1.2 | 4x6" | 30.3 x 14 x 7.8 |
| Efficiency: 104.0 Watts / °C ΔT based on average internal cabinet temperature | | | | | |
| ATEX/IECEX Certificate Reference: DEMKO 15 ATEX 1403. IECEX UL 15.0081 X | | | | | |



PRODUCT SPECIFICATIONS

- ATEX/IECEX certified for hazardous locations Class I, Zone 2 environments
- CC2507FHL Rated cooling: 2,080 Watts at 20°C ΔT (104.0W/°C, mounted to an uninsulated 72" X 36" X 24" Cabinet)
- Designed for surface mounting on outside of cabinet.
- Housing is Stainless Steel (TYPE 316 14 GAUGE)
- Equipped with mounting gasket to maintain air tight seal
- Available with AC (115 & 230V) and DC (12, 24 & 48V)
- Unit may be mounted vertically (as shown) or horizontally
- Optional: inlet air-filter kit available upon request
- ATEX/IECEX Standards: 60079-0, 6th Ed. + Corr. 1:2012 + Corr. 2:2013, IEC 60079-15, 4th Ed., CENELEC EN 60079-0:2012 + A11:2013 and CENELEC EN 60079-15:2010
- For design, quote, and sizing assistance: call (512) 595-5700

*Subject to change without notice

Hazardous Location, Class 1, Zone 2
(ATEX/IECEX)
Air to Air Flush Mount Model

NOREN™ 205 s. Edmond Street
TAYLOR, TX 76574
THERMAL SOLUTIONS (512) 595-5700
www.norenthermal.com

CC2507FHL-WL-IP66, xxx

UL-PBD-8.2.1-200005-E