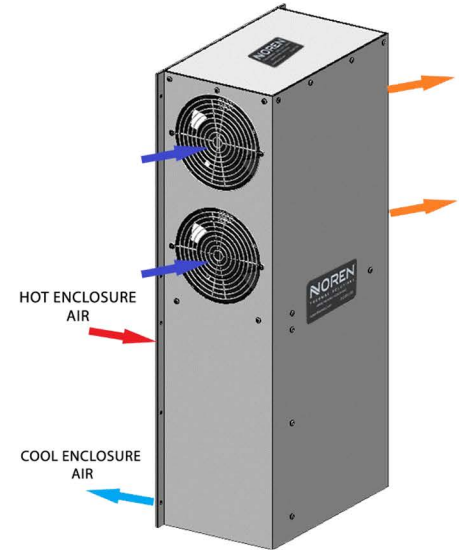
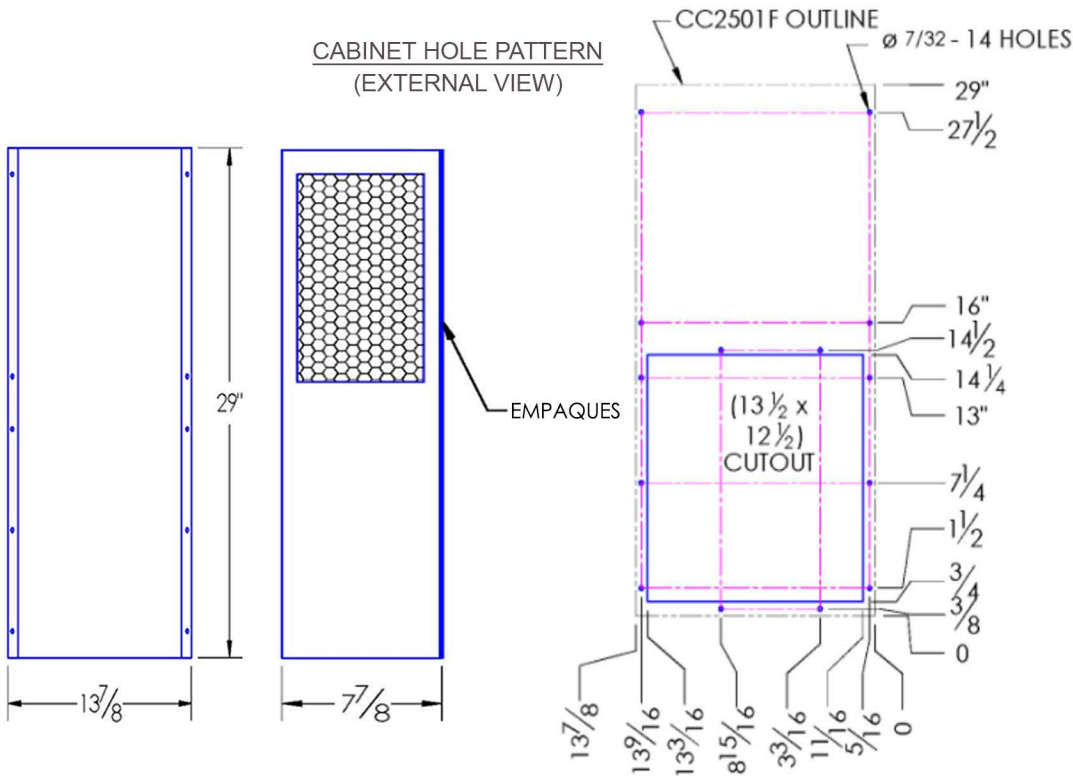


HEAT EXCHANGER CC2501F WL TYPE 4 AIR TO AIR FLUSH MOUNT MODEL

Model	Weight (lbs)	Rating @ 20°C ΔT (BTU/hr)	Amps Current Draw at 115 volts AC	Fan size	Dimensions-Inches (HxWxD)
CC2501F-WL-TYPE 4	30 lbs	7,100	1.2	4x6"	29 x 13.8 x 7.8
Efficiency: 104.0 Watts / °C ΔT based on average internal cabinet temperature					



PRODUCT SPECIFICATIONS

1. UL Listed for TYPE 4 environments
2. CC2501F Rated cooling: 2,080 Watts at 20°C ΔT (104.0 W/°C, mounted to an uninsulated 72" x 36" x 24" cabinet)
3. Designed for surface mounting on outside of cabinet
4. Housing is aluminum (Standard color). Stainless steel available (TYPE 4X)
5. Equipped with mounting gasket to maintain the TYPE 4X integrity of your cabinet
6. Pressure tested to insure liquid tight seal
7. External fan is UL rated for Wet Locations / Outdoor use (WL)
This new fan is the Noren Universal Fan (UF)
8. Internal 6-ft. power cord with 3-prong plug is standard for AC powered units
9. Available with VAC (115 & 230) and VDC (12, 24, & 48) fans. DC powered units include junction box, consult website
10. Vertical mounting (as shown) is standard. Call for horizontal applications
11. Optional: inlet air-filter kit available upon request
12. For design, quote, and sizing assistance: call (512) 595-5700

*Subject to change without notice



UL File #SA9567

CC2501F WL Type 4 Air to Air Flush Mount Model



CC2501F-WL-TYPE 4

CCS-PBD-7.2.2-883611-C