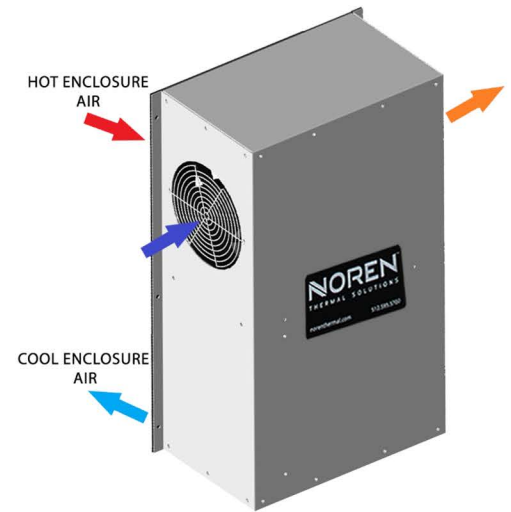
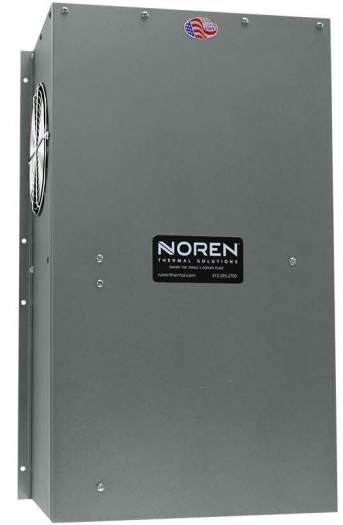
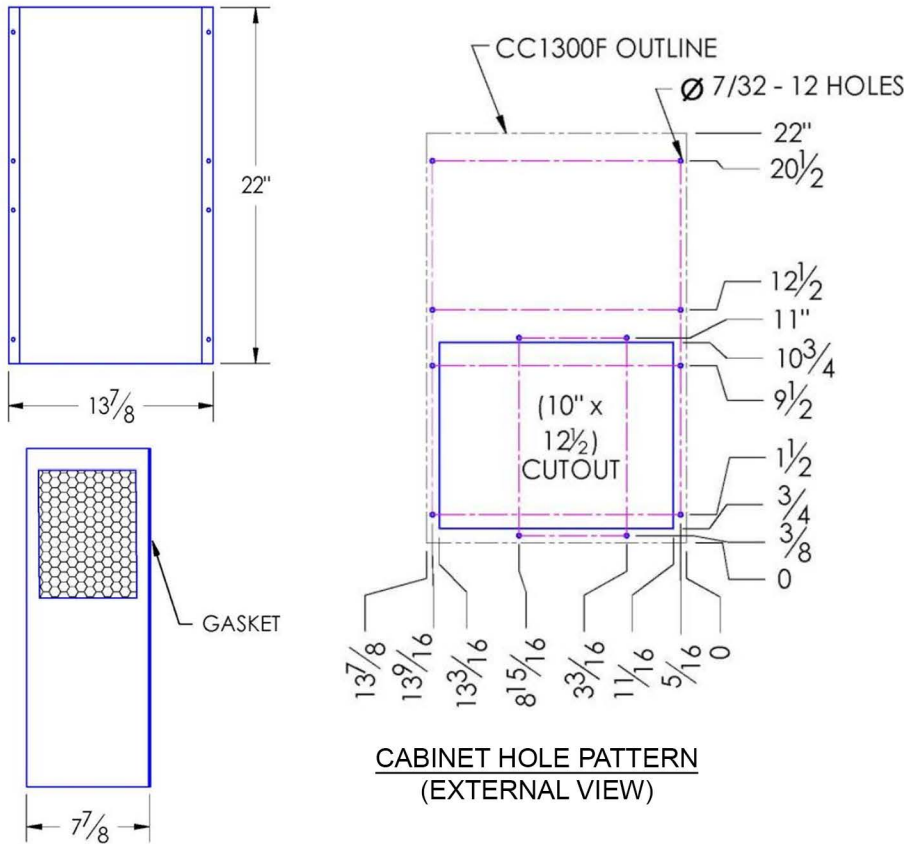


## HEAT EXCHANGER CC1300F TYPE 12 AIR TO AIR FLUSH MOUNT MODEL

Model	Weight (lbs)	Rating @ 20°C ΔT (BTU/hr)	Amps Current Draw at 115 volts AC	Fan size	Dimensions-Inches (HxWxD)
CC1300F	22 lbs	5,100	0.6	2x6"	22 x 13.8 x 7.8
Efficiency: 75.0 Watts / °C ΔT based on average internal cabinet temperature					



### PRODUCT SPECIFICATIONS

1. UL Listed for TYPE 12 environments
2. CC1300F Rated cooling: 1,500 Watts at 20°C ΔT (75.0 W/°C, mounted to an uninsulated 72" X 36" X 24" Cabinet)
3. Designed for surface mounting on outside of cabinet
4. Housing is aluminum (Standard color). Stainless steel is available
5. Equipped with mounting gasket to maintain air tight seal
6. Internal 6-ft. power cord with 3-prong plug is standard for AC powered units
7. Available with VAC (115 & 230) and VDC (12, 24, & 48) fans. DC powered units include junction box, consult website
8. Unit may be mounted vertically (as shown) or horizontally
9. Optional: inlet air-filter kit available upon request
10. For design, quote, and sizing assistance: call (512) 595-5700

\*Subject to change without notice



UL File #SA9567

### CC1300F Type 12 Air to Air Flush Mount Model

**NOREN™** 205 s. Edmond Street  
Taylor, TX 76574  
THERMAL SOLUTIONS (512) 595-5700  
www.norenthermal.com

#### CC1300F TYPE 12

CCS-PBD-7.2.2-883356-C