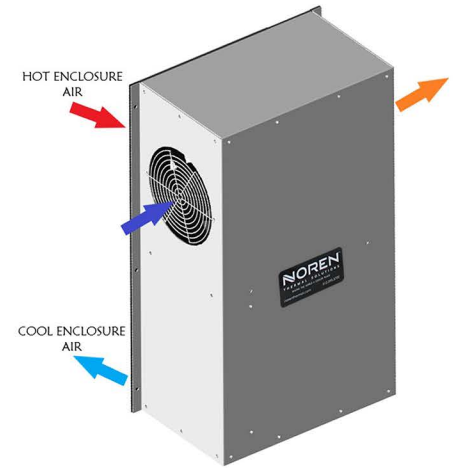
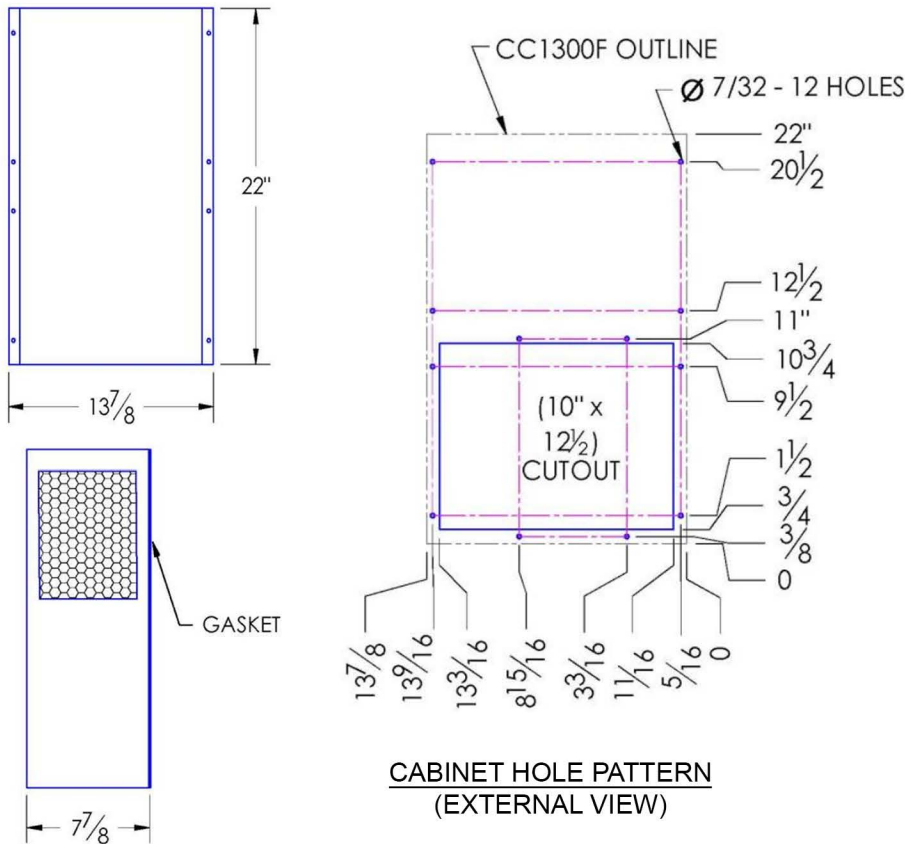


HEAT EXCHANGER CC1300F STAINLESS STEEL NEMA 4X AIR TO AIR FLUSH MOUNT MODEL

Model	Weight (lbs)	Rating @ 20°C ΔT (BTU/hr)	Amps Current Draw at 115 volts AC	Fan size	Dimensions-Inches (HxWxD)
CC1300F, SS	40 lbs	5,100	0.6	2x6"	22 x 13.8 x 7.8
Efficiency: 75.0 Watts / °C ΔT based on average internal cabinet temperature					



PRODUCT SPECIFICATIONS

1. For NEMA 4X environments and corrosion resistant applications
2. CC1300F Rated cooling: 1,500 Watts at 20°C ΔT (75.0 W/°C, mounted to an uninsulated 72" X 36" X 24" Cabinet)
3. Designed for surface mounting on outside of cabinet
4. Housing is Type 304 Stainless Steel. (316 SS is special order)
5. Equipped with mounting gasket to maintain the NEMA 4X integrity of your cabinet
6. Available with VAC (115 & 230) and VDC (12, 24, & 48) fans
7. Vertical mounting (as shown) is standard. Call for horizontal applications
8. Optional: inlet air-filter kit available upon request
9. For design, quote, and sizing assistance: call (512) 595-5700

*Subject to change without notice



CC1300F SS NEMA 4X Air to Air Flush Mount Model

NOREN™ THERMAL SOLUTIONS
 205 s. Edmond Street
 Taylor, TX 76574
 (512) 595-5700
www.norenthermal.com

CC1300F STAINLESS STEEL NEMA 4X

CCS-PBD-7.2.2-883375-C