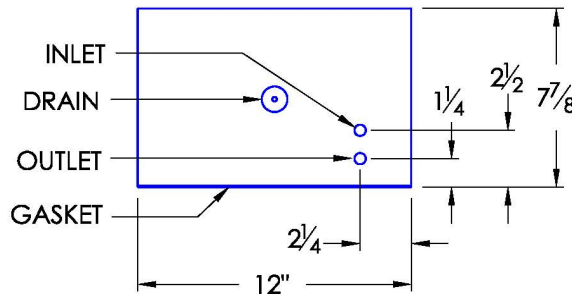
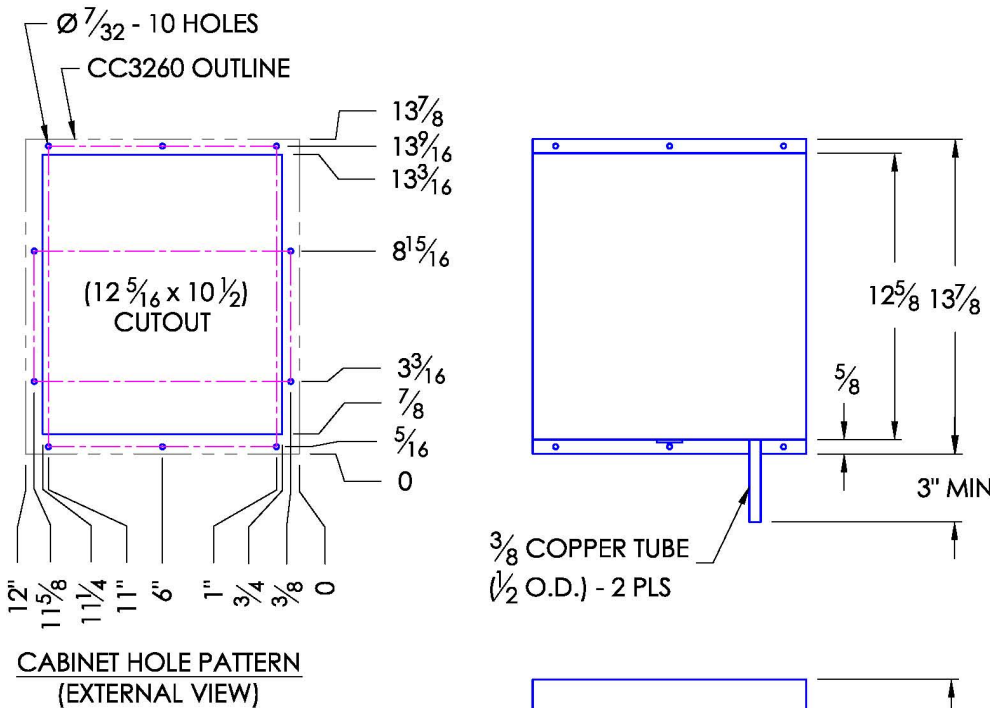


CC3260 TYPE 12 Compact Cabinet Cooler Air-To-Water Flush-Mount Model

Model	Weight	Rating @ 40°C ΔT BTU / hr	Amps Current Draw at 115 volts AC	Fan Size	Dimensions-Inches (H x W x D)
CC3260	13 lbs	8,600	0.3	1 x 6"	13-7/8 x 12 x 7-7/8

Efficiency: 62.7 Watts / °C ΔT based on average internal cabinet temperature.



- ### SPECIFICATIONS
- UL Listed for TYPE 12 environments.
 - CC3260 Rated cooling: 2,508 Watts mounted to an uninsulated 24" x 24" x 16" Cabinet with 1 GPM of water at 20°C, 40°C ambient air and 60°C cabinet air temperature.
 - Designed for surface mounting on the outside of cabinet.
 - Housing is aluminum (color is black).
 - External water inlet and outlet connections.
 - Equipped with mounting gasket to maintain air tight seal.
 - Available with AC (115 & 230V) and DC (12, 24, & 48V) fans. DC version includes junction box, consult website.
 - Vertical mounting only.
 - Coolant water pressure: Pressure tested to 100 psi. Safe working pressure is 60 psi.
 - Recommended coolant flow rate (gallons per minute): 1 GPM
 - NSF/ANSI/CAN 61&372 certified unit available
 - For design, quote, and sizing assistance: call (512) 595-5700.



NOREN THERMAL SOLUTIONS
205 S. Edmond Street
Taylor, TX 76574
(512) 595-5700
www.norenthermal.com

CC3260 TYPE 12

CCS-PBD-8.2.1-883344-G