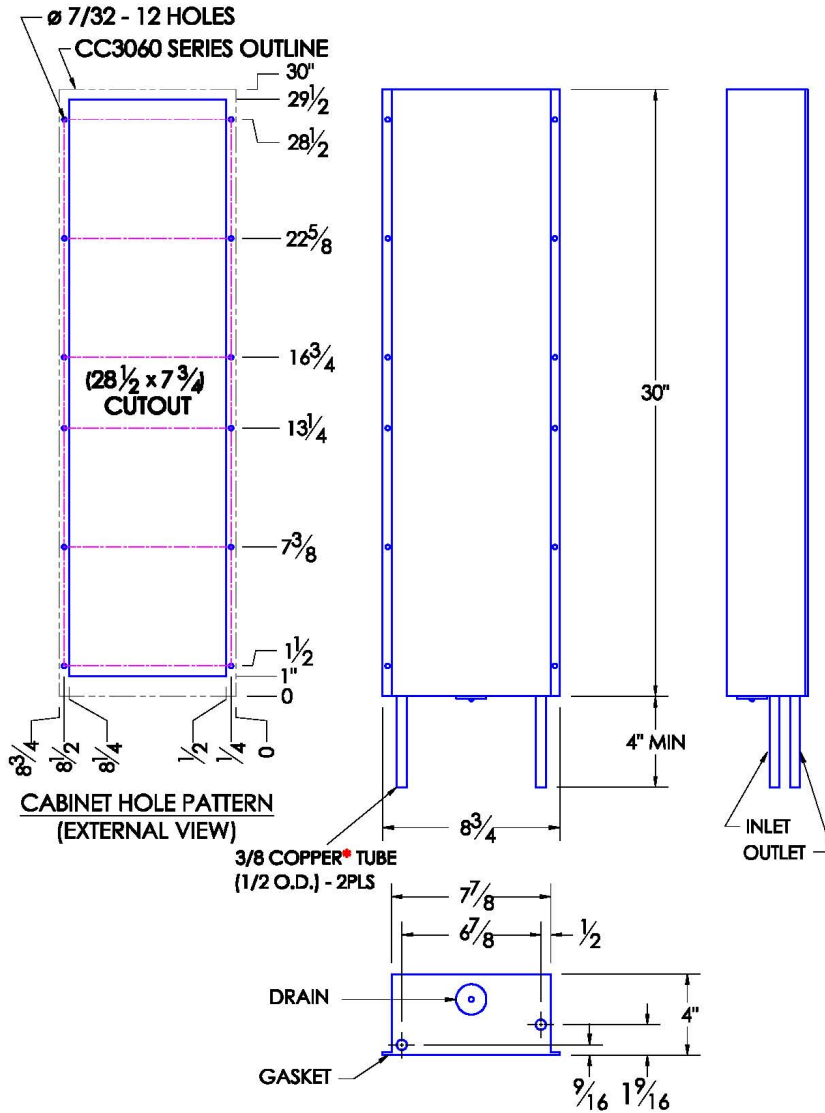


CC3060 TYPE 12 Compact Cabinet Cooler Air-To-Water Flush-Mount Model

Model	Weight	Rating @ 40°C ΔT BTU / hr	Amps Current Draw at 115 volts AC	Fan Size	Dimensions-Inches (H x W x D)
CC3060	13 lbs	9,300	0.3	1 x 6"	30 x 8-3/4 x 4

Efficiency: 68.8 Watts / °C ΔT based on average internal cabinet temperature.



SPECIFICATIONS

- UL Listed for TYPE 12 environments.
- CC3060 Rated cooling: 2,725 Watts mounted to an uninsulated 72" x 36" x 24" Cabinet with 1 GPM of water at 20°C, 40°C ambient air and 60°C cabinet air temperature.
- Designed for surface mounting on the outside of cabinet.
- Housing is aluminum (color is black).
- External water inlet and outlet connections.
- Equipped with mounting gasket to maintain air tight seal.
- Available with AC (115 & 230V) and DC (12, 24, & 48V) fans. DC version includes junction box, consult website.
- Vertical mounting only.
- Coolant water pressure: Pressure tested to 100 psi. Safe working pressure is 60 psi.
- Recommended coolant flow rate (gallons per minute): 1 GPM
- NSF/ANSI/CAN 61&372 certified unit available
- For design, quote, and sizing assistance: call (512) 595-5700.

