

To the Installer of the Noren HyTec Cooler, S-Model for **submersible** type elevator hydraulic fluid reservoirs.

The diagrams in these instructions cover installation of the HyTec Cooler, S-Model into a typical **submersible** type elevator hydraulic fluid reservoir. Your tank layout, as well as the value types and line locations, may differ considerably from the drawing shown. These variations do not necessarily preclude the installation of the HyTec Cooler, S-Model.

NOTE:

If it is necessary to install the HyTec components in a position not shown in these instructions, the following factors must be kept in mind:

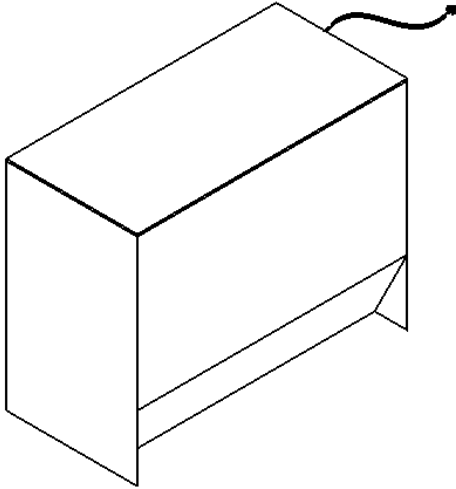
1. All return fluid lines **MUST BE** directed into the HyTec “basket”. HyTec Coolers require that ALL hydraulic fluid passes through the HyTec’s heat transfer cores before re-entering the pump.
2. Hot air from the shroud **MUST NOT** be directed towards the inlet of an opposing shroud. Such a configuration severely reduces the efficiency of the cooler.
3. Fan shrouds exhaust outlets **MUST NOT** be installed closer than 19” to a wall or other obstruction which could cause hot air to re-circulate back to the inlet of the shroud, thus reducing the efficiency of the cooler.

If you have questions about your HyTec Cooler, S-Model installation, or are unsure about any of the following instructions, please call the home office at (512) 595-5700 for assistance.

We value feedback from the field and welcome your comments about the product and this document. Please email your comments to customerservice@norenthermal.com.

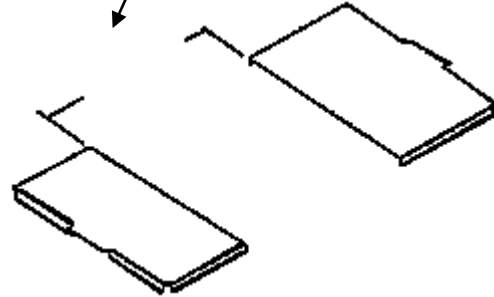
This document is subject to change without notice.

DISCONNECT FROM POWER

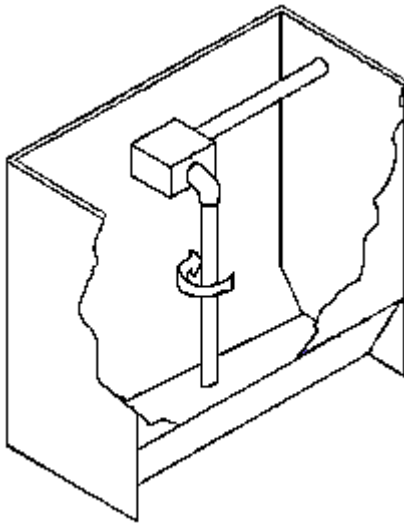


1. Disconnect the hydraulic unit from the electrical supply.

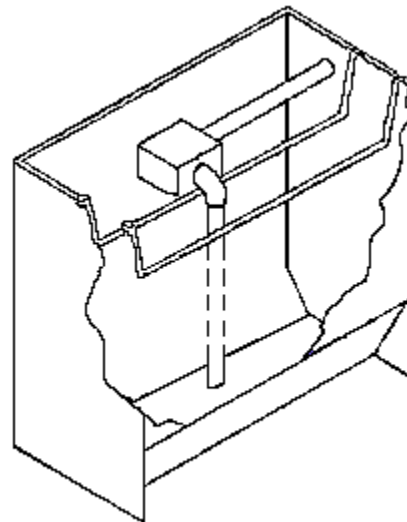
Alternative:
Using HyTec cover as a template,
modify existing reservoir cover to
accommodate HyTec cores and
elevator system valve.



2. Remove existing reservoir cover – set aside.

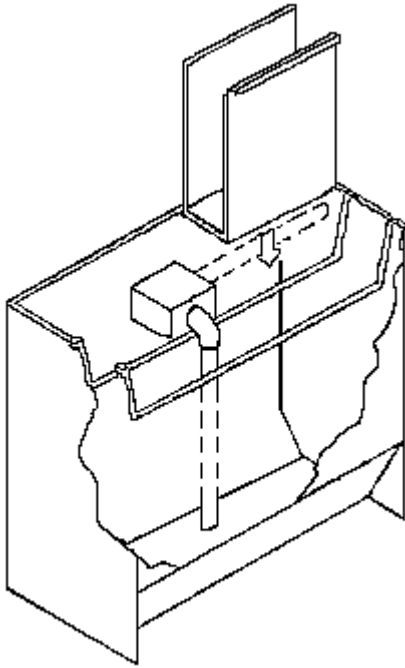


3. Remove existing return line pipe.

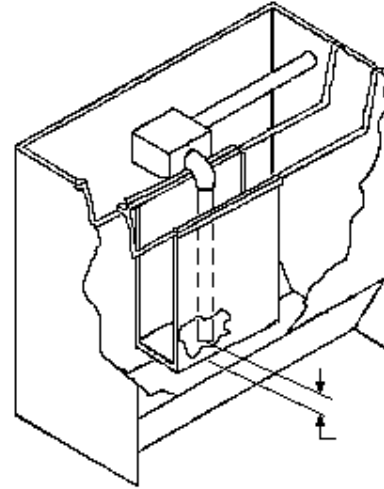


4. Position HyTec hanger rails as shown.

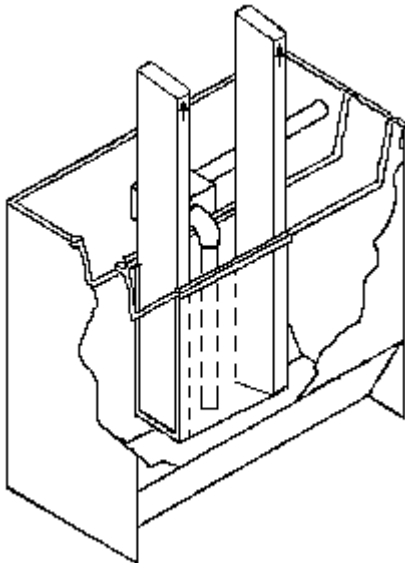
This document is subject to change without notice.



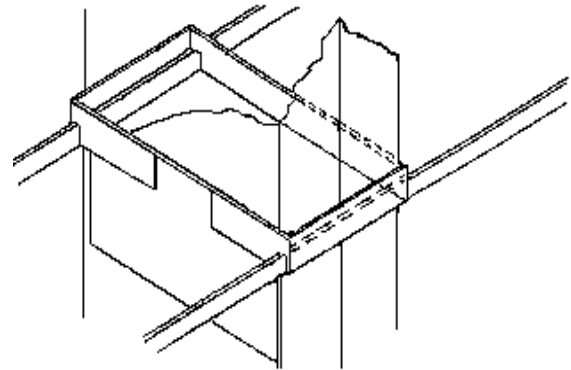
5. Install HyTec basket onto hanger rails as shown



6. a. Position basket beneath the centerline of the return line fitting.
- b. Measure distance from bottom of return line fitting to bottom of basket.
- c. Trim return line pipe so that outlet is approx. 2-1/2" from bottom of basket when re-installed.
- d. Re-install return line pipe.
(See note 1 on page 1)

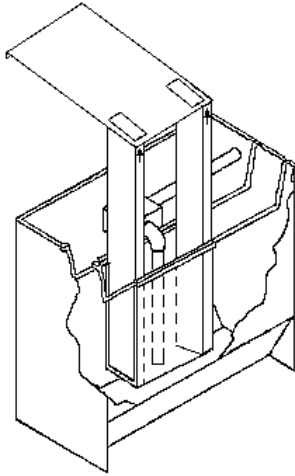


7. Install HyTec core(s) with arrow pointing upward.
(Single or double cores)

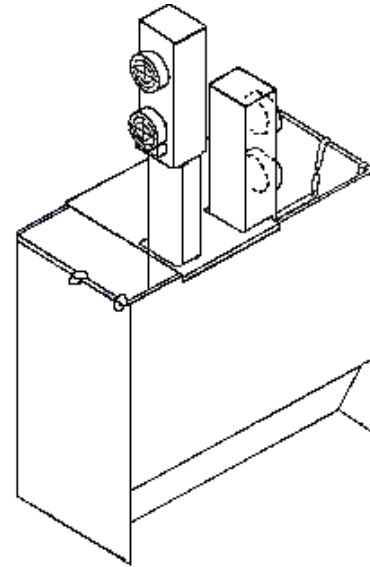


8. Install tilt braces

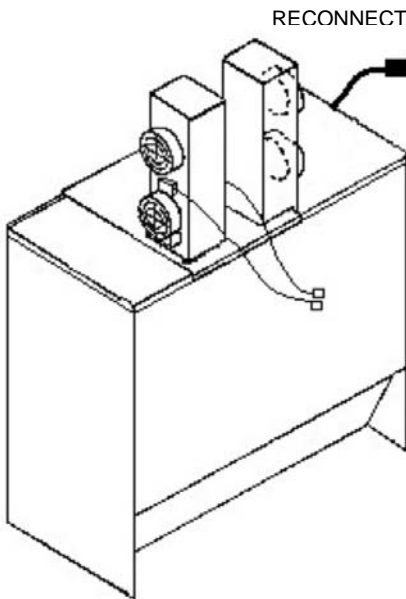
This document is subject to change without notice.



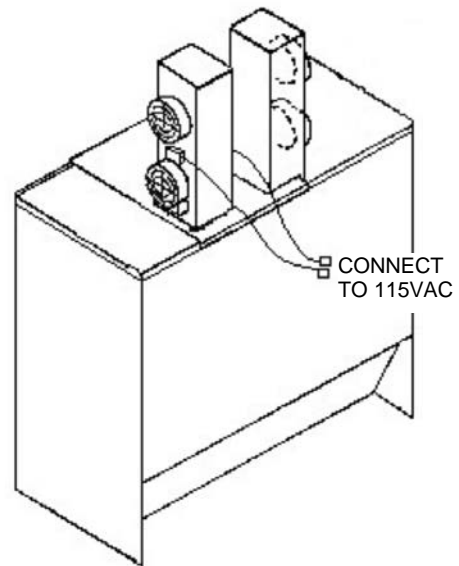
9. Install HyTec cover and install modified covers (as stated in step 2 above)



10. Slide fan shroud assemblies into place



11. Reconnect hydraulic unit to electric supply



12. Plug 3-prong 115VAC fan cords into electrical outlet

HISTORY / REVISION TABLE

This document is subject to change without notice.