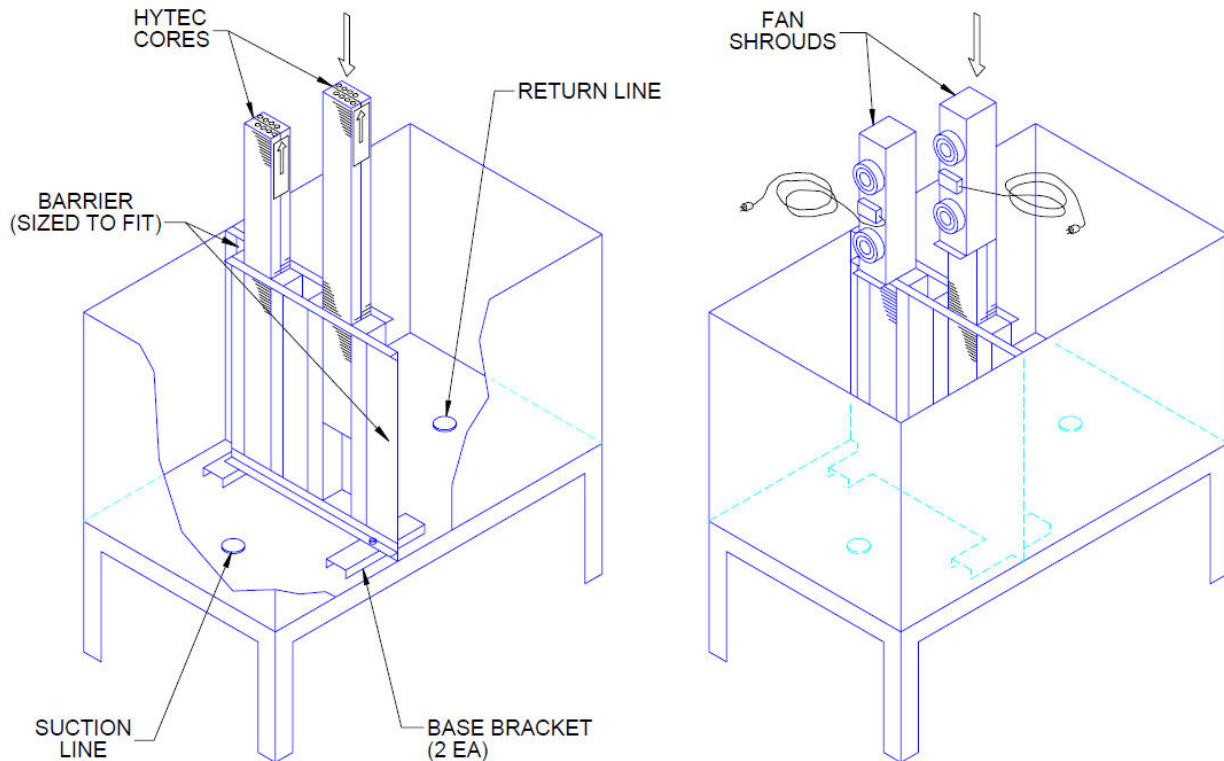


To the Installer of the Noren HyTec Cooler, D-Model for **dry** type elevator hydraulic fluid reservoirs.

The diagrams in these instructions cover installation of the HyTec Cooler, D-Model into a typical **dry** type elevator hydraulic fluid reservoir. Your tank layout, as well as the suction and return line location, may differ considerably from the drawings show. However, those variations do not necessarily preclude the installation of the HyTec Cooler, D-Model.

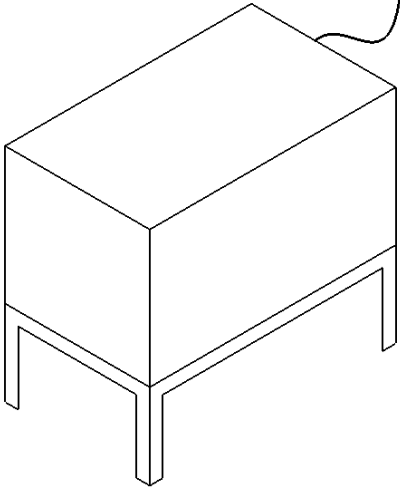
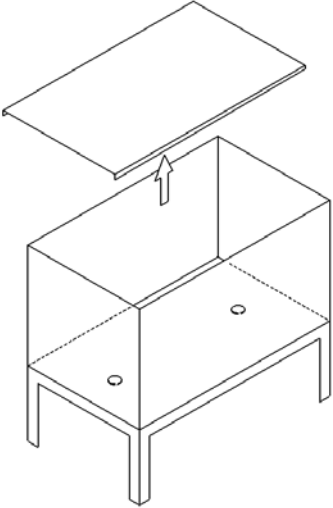
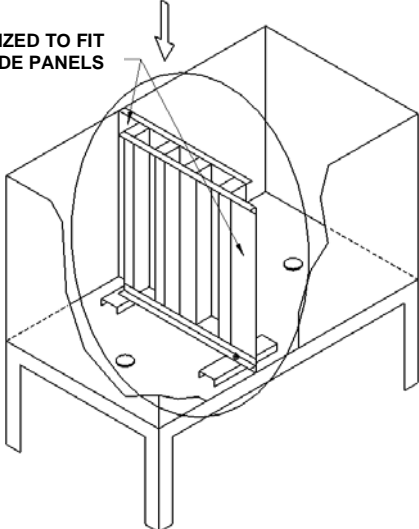
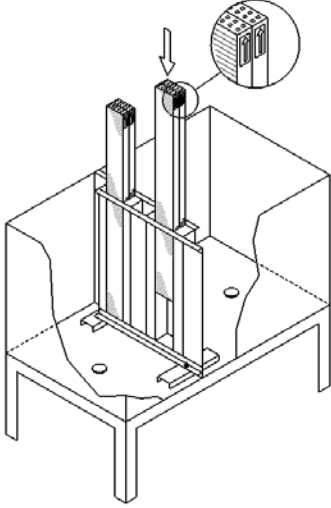
If you have questions about your HyTec Cooler, D-Model installation or are unsure about any of the following instructions, please call our home office at (512) 595-5700 for assistance.

We value feedback from the field and welcome your comments about this product and this document. Please email your comments to customerservice@norenthermal.com.

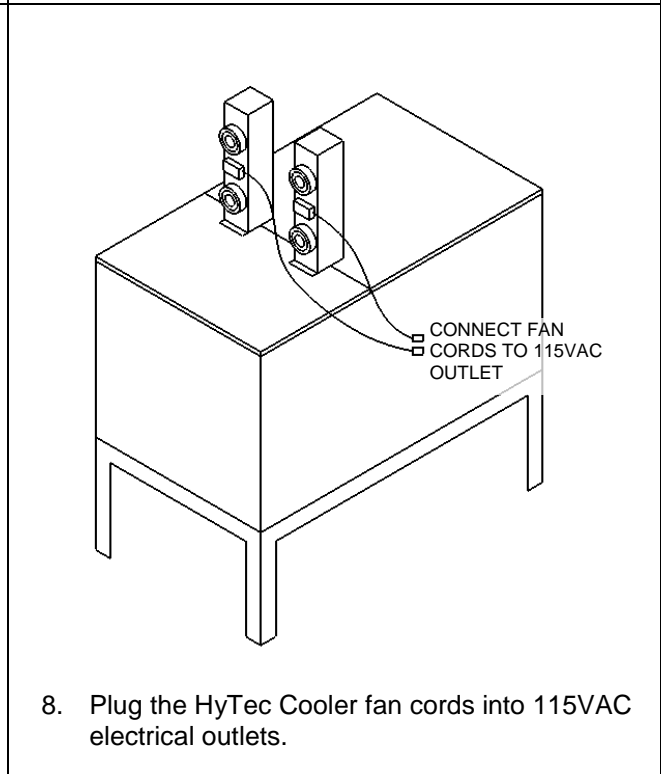
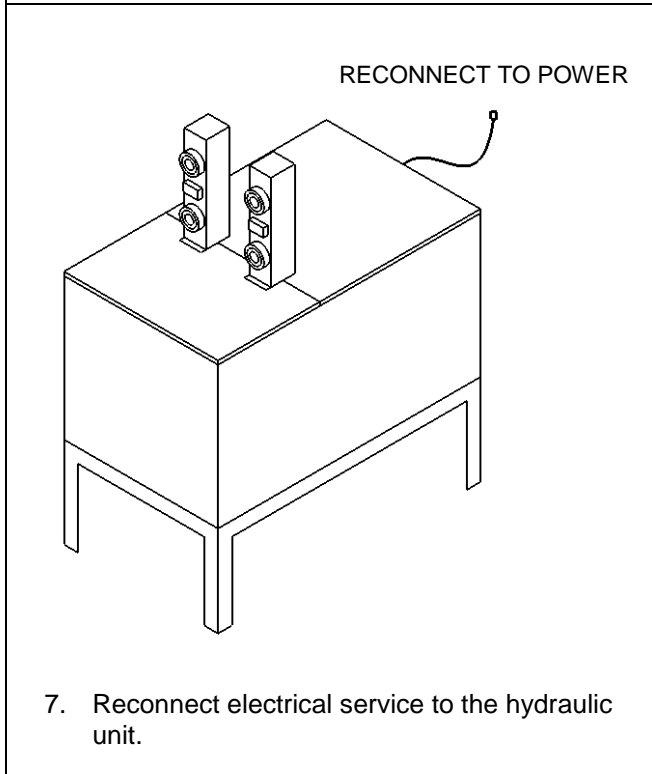
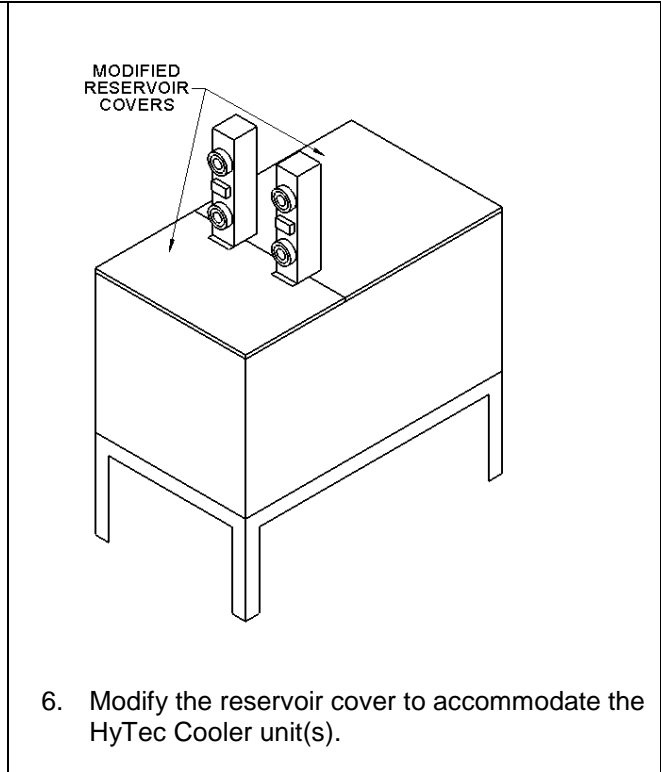
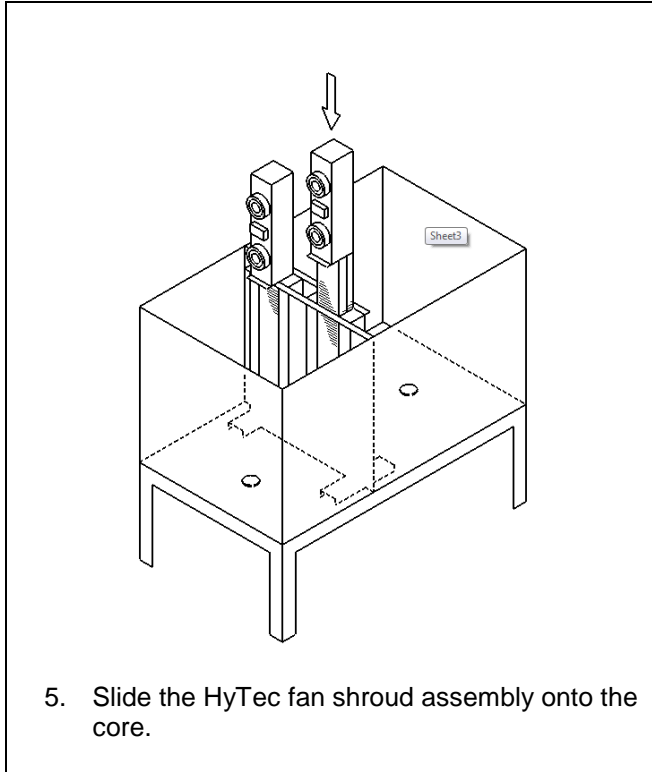


This document is subject to change without notice.

Steps for Installing the Noren HyTec Cooler D-Model

 <p>DISCONNECT FROM POWER</p> <p>1. Disconnect the hydraulic unit from the electrical supply.</p>	 <p>2. Remove existing reservoir cover and set aside.</p>
 <p>SIZED TO FIT SIDE PANELS</p> <p>3. Install the HyTec Barrier as shown. Sized to fit side panels at the ends for barrier lengths of 28", 30" or 32". Position of the barrier may vary depending on the reservoir size and obstructions.</p>	 <p>4. Install the HyTec core with the "top" end up, in the barrier as shown.</p>

This document is subject to change without notice.



This document is subject to change without notice.