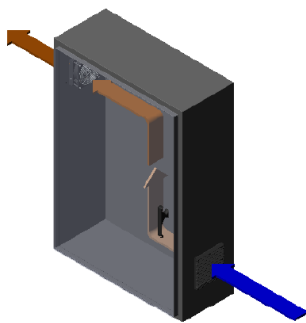
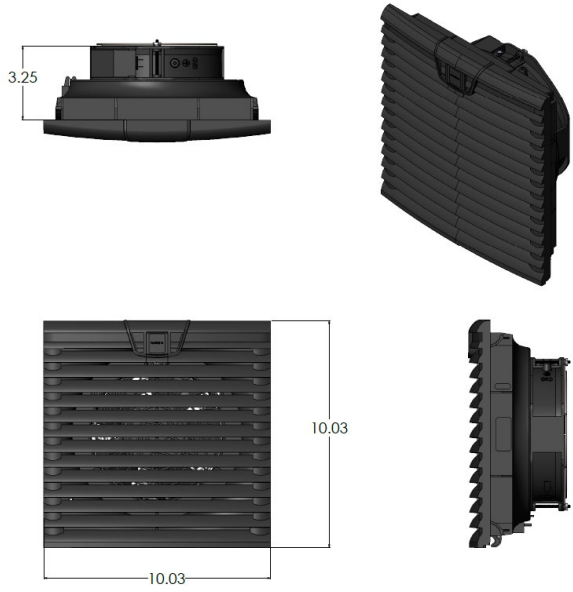
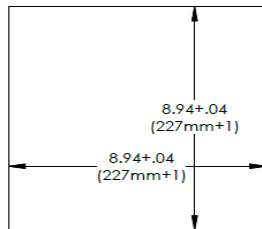


**ECO-FLOW
ECF-60-115
PLASTIC FILTER FAN KIT**

<u>Model</u>	<u>Weight</u>	<u>Amps Current Draw at 115 volts DC</u>	<u>Fan Size</u>	<u>Dimensions-Inches (H x W x D)</u>
ECF-60-115	2.7 lbs.	0.23	1 x 6"	10.03 x 10.03 x 4.20



CUT-OUT DIAGRAM



- SPECIFICATIONS**
- Fan specifications: ball Bearing fan, Voltage 115V, Amps 0.36A, Power~32W, Noise 56dB, Max static pressure 0.86 H2O inch
 - CFM through the filter 91cfm/155m3/h
 - Frame material: ABS Fireproof material of UL94 V-0, UL light resistance according to UL746C(f1)
 - Color: RAL 9011
 - Operating temperature/storage temperature: -10 to 70 C°/-40 to 70 C°
 - Filter material: Synthetic fiber with progressive construction, resistant to 100C°, moisture resistant to 100% RH and reusable
 - Connection Type: Terminal
 - Rated Protection IP54
 - Ask for accessories. Available in different Voltages: 24DC, 48DC, 115AC and 230AC
 - 10. For design, quote, and sizing assistance: call (866) 936-6736 or (512) 595-5700**

Subject to change without notice.

	205 S. Edmond Street Taylor, TX 76574 (512) 595-5700 www.norenthermal.com
	Eco-Flow ECF-60-115
CCS-PBD-8.2.2-883654-A	



ECF-60-115

Publishable Data

Approved By: RG

Date: 11/12/19

Revision: A

Page 2 of 1

HISTORY / REVISION TABLE

Revision	Nature of the Change	Date	Initials
A	Initial Issue	11/12/19	RG