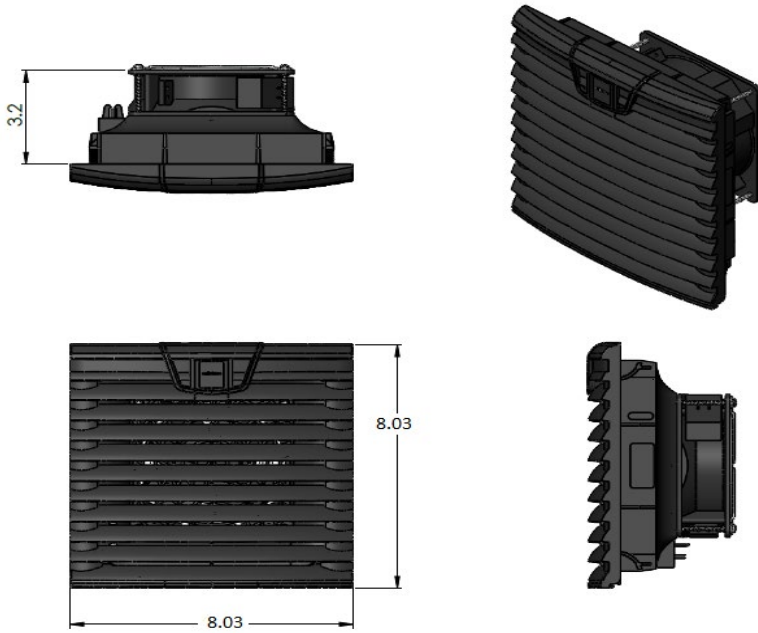
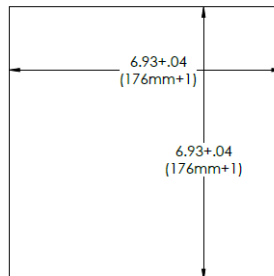
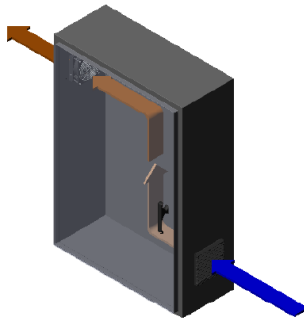


**ECO-FLOW
ECF-40-48
PLASTIC FILTER FAN KIT**

<u>Model</u>	<u>Weight</u>	<u>Amps Current Draw at 48 volts DC</u>	<u>Fan Size</u>	<u>Dimensions-Inches (H x W x D)</u>
ECF-40-48	1.5 lbs.	0.33	1 x 4"	8.03 x 8.03 x 4.10



CUT-OUT DIAGRAM



SPECIFICATIONS

1. Fan specifications: ball Bearing fan, Voltage 48V, Amps 0.33A, Power ~16W, Noise 49dB, Max static pressure 0.49 H2O inch
2. CFM through the filter 66 cfm/112m3/h
3. Frame material: ABS Fireproof material of UL94 V-0, UL light resistance according to UL746C(f1)
4. Color: RAL 9011
5. Operating temperature/storage temperature: -10 to 70 C°/-40 to 70 C°
6. Filter material: Synthetic fiber with progressive construction, resistant to 100C°, moisture resistant to 100% RH and reusable
7. Connection Type: Terminal
8. Rated Protection IP54
9. Ask for accessories. Available in different Voltages: 24DC, 48 DC, 115 AC and 230 AC.
10. For design, quote, and sizing assistance: call (866) 936-6736 or (512) 595-5700

