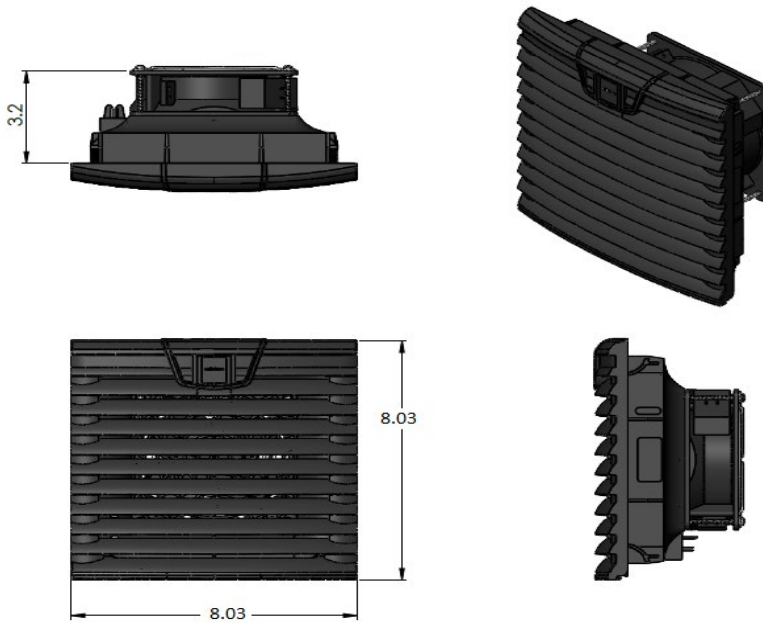
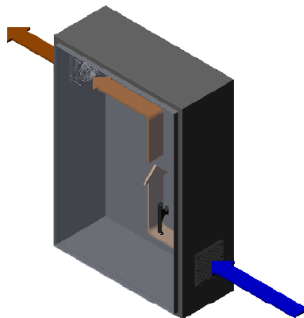


**ECO-FLOW
ECF-40-115
PLASTIC FILTER FAN KIT**

<u>Model</u>	<u>Weight</u>	<u>Amps Current Draw at 115 volts AC</u>	<u>Fan Size</u>	<u>Dimensions-Inches (H x W x D)</u>
ECF-40-115	1.8 lbs.	0.16	1 x 4"	8.03 x 8.03 x 4.10



CUT-OUT DIAGRAM



SPECIFICATIONS

1. Fan specifications: ball Bearing fan, Voltage 115V, Amps 0.16A, Power 12W, Freq 60Hz, Noise 46dB, Max static pressure 0.35 H2O inch
2. CFM through the filter: 59 cfm/100m3/h
3. Frame material: ABS Fireproof material of UL94 V-0, UL light resistance according to UL746C(f1)
4. Color: RAL 9011
5. Operating temperature/storage temperature: -10 to 70 C°/-40 to 70 C°
6. Filter material: Synthetic fiber with progressive construction, resistant to 100C°, moisture resistant to 100% RH and reusable
7. Connection Type: Terminal
8. Rated Protection IP54
9. Ask for accessories. Available in different Voltages: 24DC, 48 DC, 115 AC and 230 AC.
10. For design, quote, and sizing assistance: call (866) 936-6736 or (512) 595-5700



Proudly assembled in the USA



ISO 9001:2015
CERTIFIED