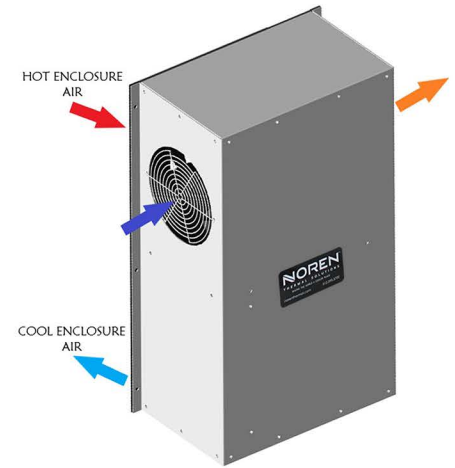
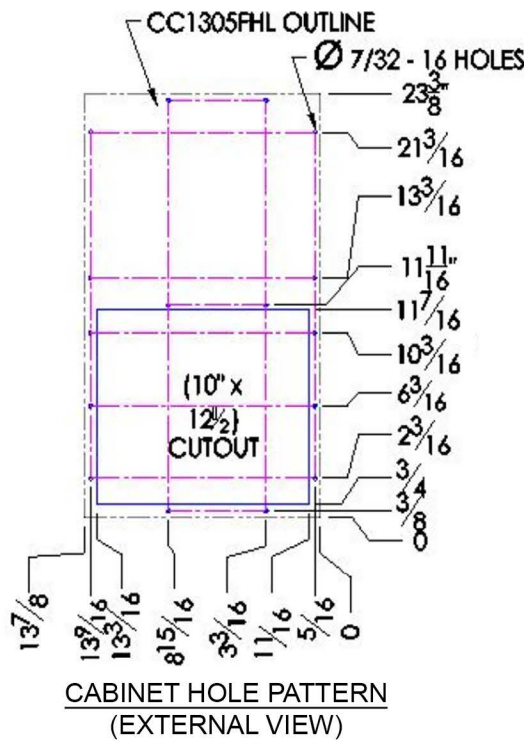
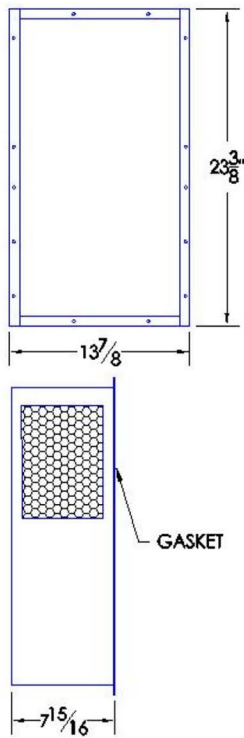


## HEAT EXCHANGER CC1305FHL WL TYPE 4X, XXX, HAZARDOUS LOCATION CLASS 1/DIV 2 AIR TO AIR FLUSH MOUNT MODEL

| Model  | Weight (lbs) | Rating @ 20°C<br>ΔT (BTU/hr) | Amps Current<br>Draw at 115<br>volts AC | Fan size | Dimensions-Inches<br>(HxWxD) |
|--|--------------|------------------------------|---|----------|------------------------------|
| CC1305FHL  | 40 lbs       | 5,100                        | 0.72                                    | 2x6"     | 23.3 x 13.8 x 7.9            |
| Efficiency: 75.0 Watts / °C ΔT based on average internal cabinet temperature |              |                              |   |          |                              |



### PRODUCT SPECIFICATIONS

1. UL Listed for TYPE 4X environments, Hazard Location Class 1 / Div 2
2. CC1305FHL Rated cooling: 1,500 Watts at 20°C ΔT (Temp Code T4)  
(75.0 W/°C, mounted to an uninsulated 72" x 36" x 24" Cabinet)
3. Designed for surface mounting on outside of purged or non-purged cabinet
4. Housing is Stainless Steel (TYPE 316)
5. Equipped with mounting gasket to the TYPE 4X integrity of your cabinet
6. Pressure tested to insure liquid tight seal
7. External fan is UL rated for Wet Locations / Outdoor use (WL)
8. Internal 6-ft power cord
9. Available with DC and AC (12VDC, 24VDC, 48VDC, 115VAC & 230VAC)  
Designation xxx indicates voltage
10. Vertical mounting (as shown) is standard. Call for horizontal applications
11. Optional: inlet air-filter kit available upon request
12. For design, quote, and sizing assistance: call (512) 595-5700

\*Subject to change without notice



Hazardous Location, Class 1, Division 2,  
Group A, B, C and D  
Air to Air Flush Mount Model

**NOREN™** 205 s. Edmond Street  
Taylor, TX 76574  
(512) 595-5700  
THERMAL SOLUTIONS [www.norenthermal.com](http://www.norenthermal.com)

**CC1305FHL-WL-TYPE 4X,  
xxx, Class 1/Div 2**

CCS-PBD-8.2.1-883618-E